

FEATURES

- PBT Thermoplastic casing
- Square orientation
- Can be mounted in a horizontal and vertical position
- Low noise levels
- Smooth and efficient air flow

RS PRO, 230 V ac, AC Axial Fan, 150 x 172 x 38.5mm, 387.4m³/h, 28W

RS Stock No.: 144-4139



RS Professionally Approved Products bring to you professional quality parts across all product categories. Our product range has been tested by engineers and provides a comparable quality to the leading brands without paying a premium price.

Product Description

Brought to you by RS PRO, this high-performance ball bearing axial fan offers a cost-effective cooling solution without sacrificing on quality or reliability. With a robust plastic frame and impeller, the fan is perfect for lightweight applications where ventilation and cooling are required. The fan features a fully integrated electronic commutation, and provides a durable and smooth airflow to the device it is cooling.

General Specifications

Air Flow	384.7m ³ /h
Fan Speed	3400rpm
Static Pressure	0.87in/H ₂ O max.
Noise Level	58dB
Direction of Curve	Forward
Frame	Die Cast Aluminium
Impeller	PBT, UL94-0 Plastic
Alarm Function	No
IP Rating	IP44
Applications	Server racks, Electrical cabinets and enclosures; Production Lines, Ceiling fan/ventilation Desktop computers, Motor engines (radiator in a car), Generators, Air compressors

Electrical Specifications

Motor	capacitor drive, Thermally Protected
Maximum Current	0.18A @ 50Hz
AC or DC Operation	AC
Power Consumption	28W
Supply Voltage	230VAC
Frequency in Hz	50/60

Axial Fans

Dielectric Strength	1 minute at 1500 VAC,50/60Hz
Insulation Resistance	>100M ohm between lead wire and frame (500VDC)

Mechanical Specifications

Dimensions	150mm x172mm x 38.5mm
Height	150mm
Width	172mm
Depth	38.5mm
Bearing Type	Ball
Weight	1.6lbs Approx.
Life Expectancy	60,000 hours (L10 at 40°C)

Operation Environment Specifications

Operating Temperature	-20°C to 80°C
Storage Temperature	-40°C to 80°C

Approvals

Compliance/Certifications	RoHS Certificate Of Compliance
----------------------------------	--------------------------------

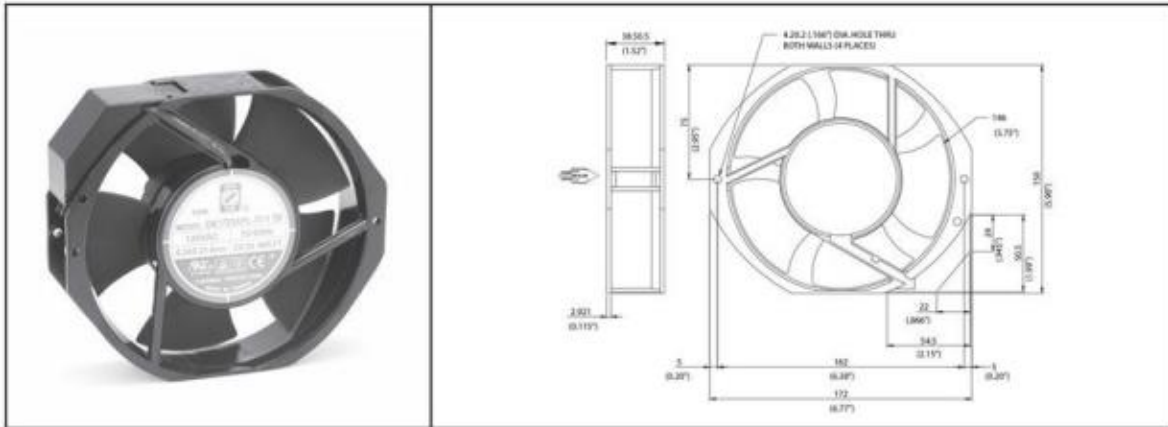






OA172SAPL Series

AC Fan - 115V, 230V
172 x 150 x 38mm (6.7"x 5.9"x 1.5")



Frame	Diecast Aluminum	<p><u>Operating Temperature</u> Ball Bearing -20C ~ +80C Storage Temp -40C ~ +80C</p> <p><u>Life Expectancy</u> Ball Bearing 60,000 hours (L10 at 40C)</p> <p>Weight: ~ 1.6 lbs.</p>	
Impeller	PBT, UL94V-0 plastic		
Connection	2x Lead Wires or Terminals		
Motor	Capacitor drive, thermally protected		
Bearing System	Dual ball		
Insulation Resistance	>100M ohm between lead-wire and frame (500VDC)		
Dielectric Strength	1 min at 1500 VAC, 50/60Hz		

Model Number	Speed (RPM)	Airflow (CFM)	Noise (dB)	Volts AC	Voltage Range	Watts	Max. Static Pressure (\"H ₂ O)
OA172SAPL-11-1 *	3400	228	58	115	103~126	28	0.87
OA172SAPL-11-2 *	2750	162	50	115	103~126	27	0.35
OA172SAPL-11-3 *	1700	103	44	115	103~126	26	0.26
OA172SAPL-22-1 *	3400	228	58	230	160~260	28	0.87
OA172SAPL-22-3 *	1700	103	44	230	160~260	26	0.26

* Indicate "TB" for Terminal type or "WB" for Wire Leads

