



EN

Datasheet

RS PRO VINYL-INSULATED (EASY ENTRY) BLADE TERMINALS

Stock number: 178-7249

MAXIMUM ELECTRIC CURRENT:

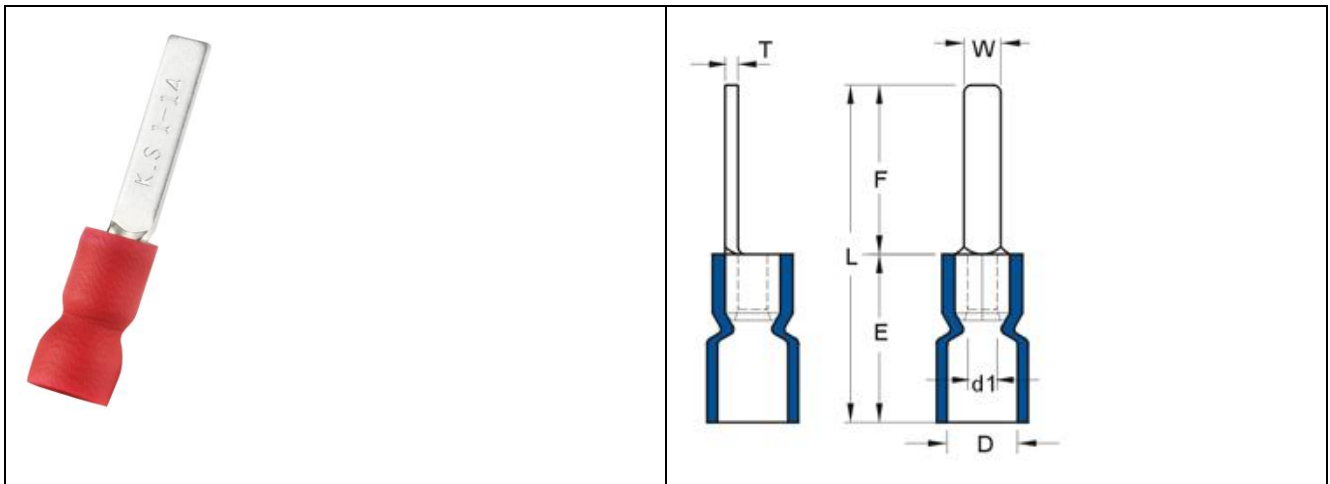
A.W.G.	22	20	18	16
AMP.	9	12	17	18

MAXIMUM ELECTRICAL RATING: 105° C 600 VOLTS MAX.

INSULATION MATERIAL: VINYL (PVC)

TERMINAL MATERIAL: COPPER

INSULATION COLOR: RED



WIRE RANGE A.W.G. mm ²	ITEM NO. BUTTED SEAM	DIMENSION inch(mm)							
		W	F	L	E	D	d1	T	
22-16 A.W.G.	178-7249	0.118	0.551	0.984	0.441	0.157	0.067	0.03	
0.5-1.5 mm ²		3	14	25	11.2	4.000	1.7	0.75	