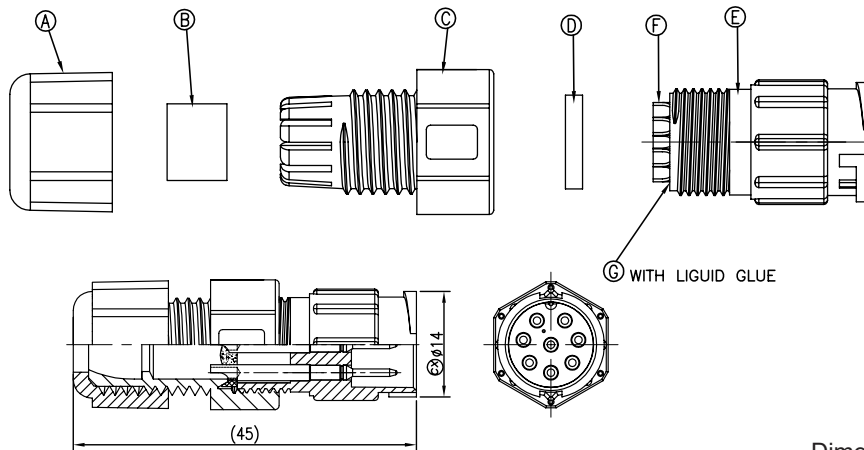


# Field Wiring with Solder Pin Male Connector

## Specifications:



Mating Style	: Lock Type
Contact Gender	: Male pin
Material Contact	: Copper Alloy, Gold Plated
Material Connector Body	: Nylon+GF, PBT
Cable OD	: 4mm to 6.5mm
Contact Resistance	: $\leq 30m\Omega$ (without cable)
Insulation Resistance	: $\geq 100M\Omega$ at DC 500V
Durability	: 500 cycles Min.
Breakdown Voltage	: $\geq AC$ 500V/1 minute
Corrosion	: 48 hours salt spray contact
Temperature Range	: $-40^{\circ}C$ to $+100^{\circ}C$
Waterproof Rate	: IP67 (IP67: Immersed in 1m water for 30 minutes)



Dimensions : Millimetres

No.	Description	Material	Plating & Colour	Qty
A	Sealing Nut	PC	Black	1
B	Seal	EPDM		
C	Clamp Ring	PC		
D	Gasket	Silicone		
E	Body	Nylon+33%GF		
F	Male Pin	HBI59-1.5B	6 $\mu$ " Gold Plated Over Nickel Plating	-
G	Liquid Glue	NA	Black	1

Part Number	Pin Assignments Front View	Current Rating	Recommended Cable AWG
2CT3033-W02400		10A	18AWG to 20AWG

# Field Wiring with Solder Pin Male Connector



Part Number	Pin Assignments Front View	Current Rating	Recommended Cable AWG
2CT3033-W03400		10A	18AWG to 20AWG
2CT3033-W04400		10A	18AWG to 20AWG
2CT3033-W04300		5A	22AWG to 24AWG
2CT3033-W05300		5A	22AWG to 24AWG
2CT3033-W06300		5A	22AWG to 24AWG
2CT3033-W07300		5A	22AWG to 24AWG
2CT3033-W08300		5A	22AWG to 24AWG

## Part Number Table

Description	Part Number
Plug, In-Line, 10A, 2 Way, Pin	2CT3033-W02400
Plug, In-Line, 10A, 3 Way, Pin	2CT3033-W03400
Plug, In-Line, 10A, 4 Way, Pin	2CT3033-W04400
Plug, In-Line, 5A, 4 Way, Pin	2CT3033-W04300
Plug, In-Line, 5A, 5 Way, Pin	2CT3033-W05300
Plug, In-Line, 5A, 6 Way, Pin	2CT3033-W06300
Plug, In-Line, 5A, 7 Way, Pin	2CT3033-W07300
Plug, In-Line, 5A, 8 Way, Pin	2CT3033-W08300

**Important Notice :** This data sheet and its contents (the "Information") belong to the members of the AVNET group of companies (the "Group") or are licensed to it. No licence is granted for the use of it other than for information purposes in connection with the products to which it relates. No licence of any intellectual property rights is granted. The Information is subject to change without notice and replaces all data sheets previously supplied. The Information supplied is believed to be accurate but the Group assumes no responsibility for its accuracy or completeness, any error in or omission from it or for any use made of it. Users of this data sheet should check for themselves the Information and the suitability of the products for their purpose and not make any assumptions based on information included or omitted. Liability for loss or damage resulting from any reliance on the Information or use of it (including liability resulting from negligence or where the Group was aware of the possibility of such loss or damage arising) is excluded. This will not operate to limit or restrict the Group's liability for death or personal injury resulting from its negligence. Multicomp Pro is the registered trademark of Premier Farnell Limited 2019.

Newark.com/multicomp-pro  
 Farnell.com/multicomp-pro  
 Element14.com/multicomp-pro

