



Datasheet

RS PRO Special Enclosures

Stock number: 2006700

EN

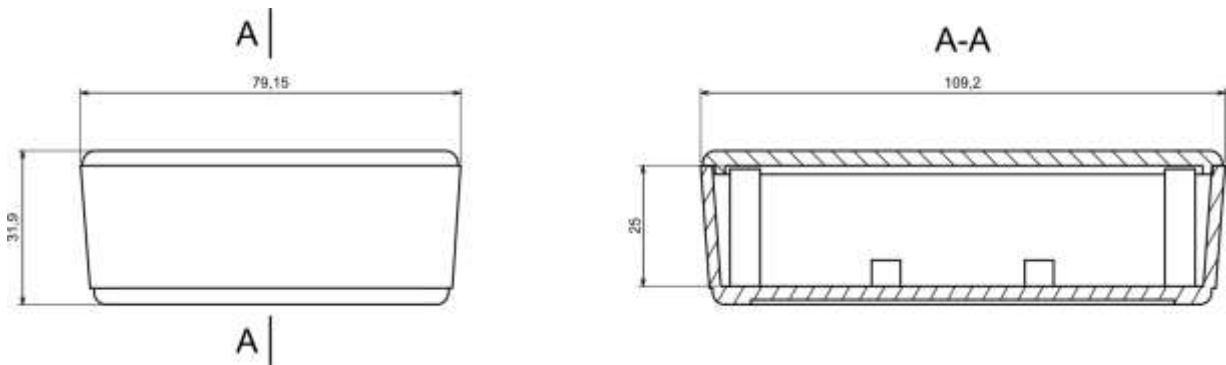


Product Details

Two-part enclosure is made of light gray ABS. The enclosure provides IP55 and IK06 rating it is ideal for applications that doesn't require hermetic seal.

Features and Benefits

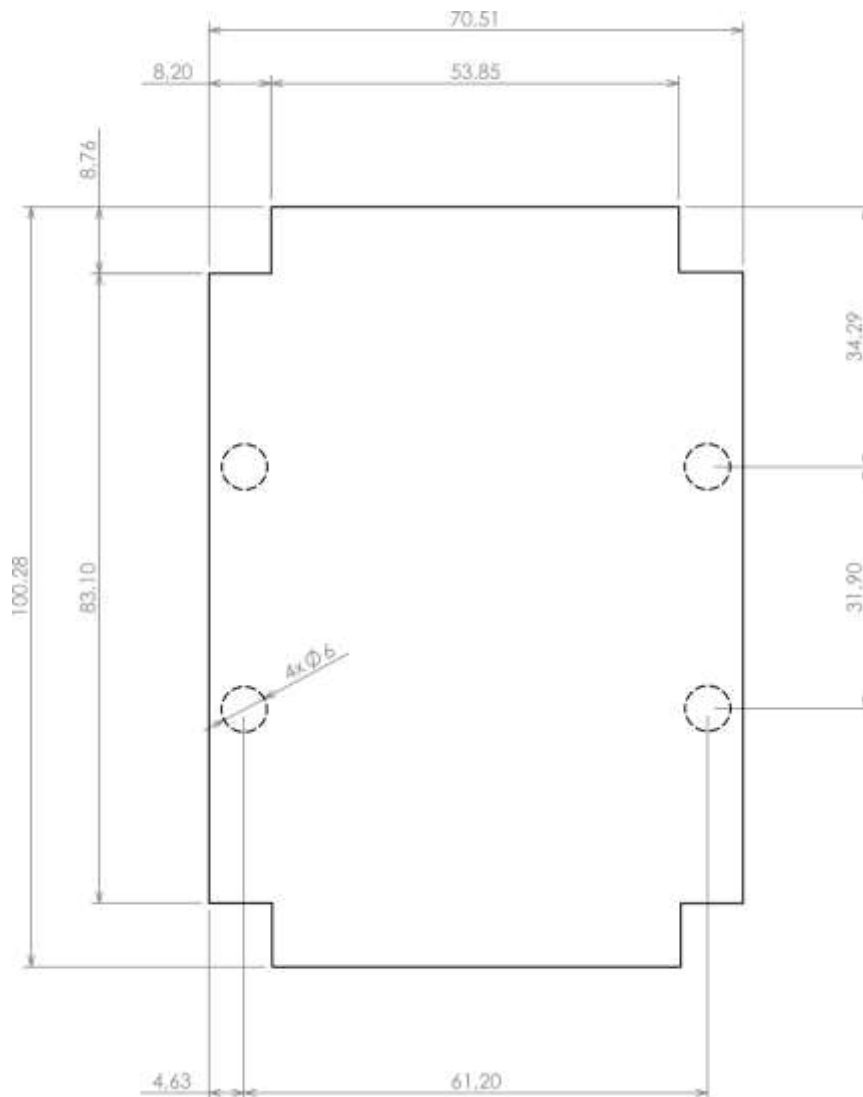
- Made of ABS
- Available in light gray color
- Protection against liquids and solid objects: IP55 rating
- Shock protection level: IK06 rating
- Supplied with screws for assembly
- Lid with recess for keypads and overlays



Category	Special Enclosures With display spot
Type	Full
Material	ABS
Variant	Without gasket
Height	31.9 mm
Width	79.2 mm
Length	109.2 mm
Color	Light gray
Protection level	IP55
Shock protection level	IK06
Standards Met	RoHS Compliant
Accessories	Screw 3/13: 4.0 pcs
Certificate number	CE/031/18



Max PCB size



Dashed line shows outline of the mounting boss under PCB board
Recommended mounting holes diameter $\varnothing 3,5\text{mm}$
All dimensions are given within $\pm 0,5\text{mm}$ tolerance