

Datasheet

RS Pro Steel Zinc Plated Toggle Latch, 64 x 28.7 x 14mm

RS Stock No: **726-4141**



Product Details

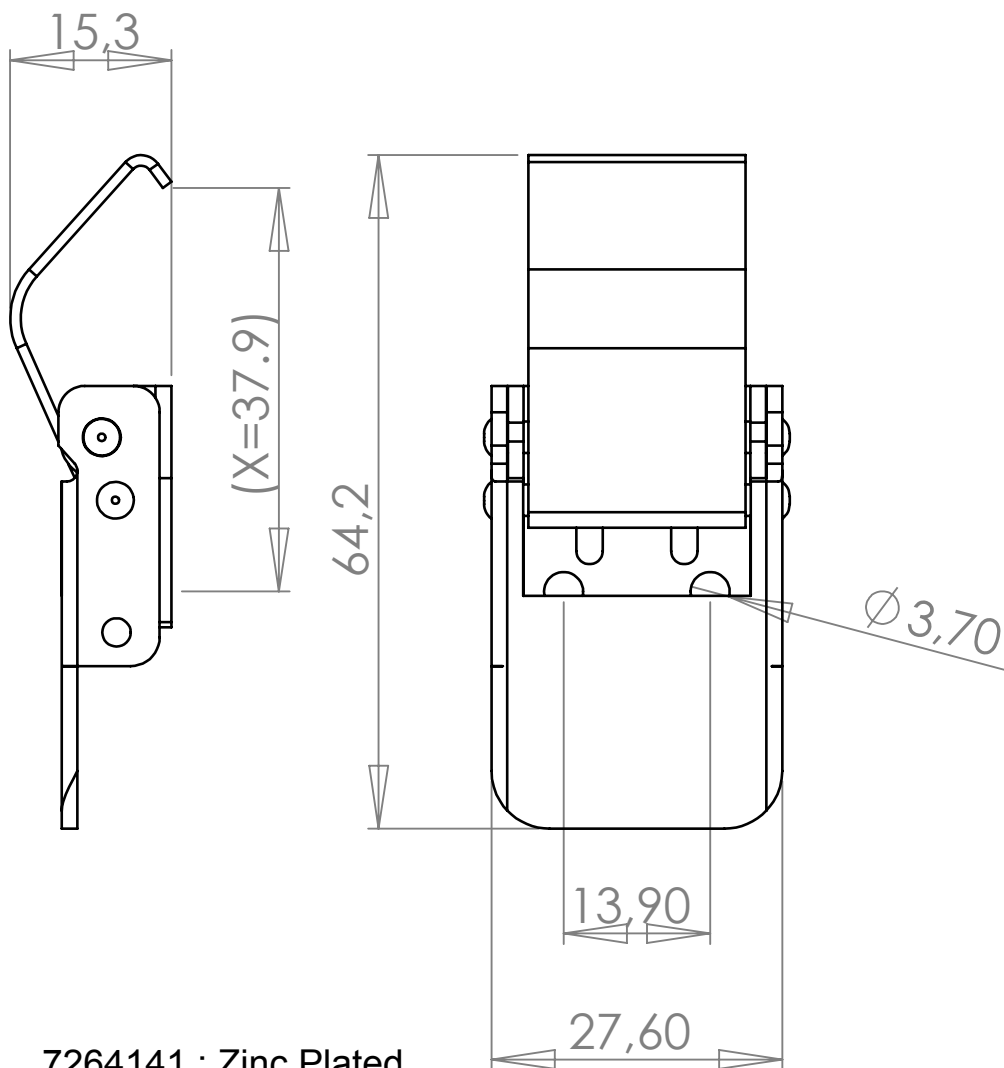
RS Pro toggle latch is made of durable steel with zinc plated finish. This latch measuring 64 x 28.7 x 14 mm, has a standard toggle latch to be used as a conventional clamping device.

Features and Benefits

- Standard toggle latch to be used as a conventional clamping device
- No strike plate is required due to curvature of linkage
- Comes in zinc plated steel finish

Specifications:

Depth	14 mm
Dimensions	64 x 28.7 x 14 mm
Finish	Zinc Plated
Length	64 mm
Material	Steel
Width	28.7 mm



7264141 : Zinc Plated