

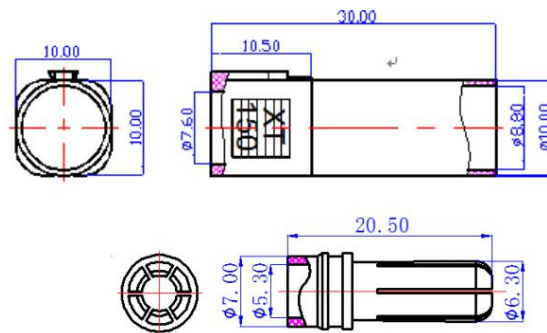


Datasheet

RS PRO XT150 Male connector, Black

Stock number: 180-5385

EN



Section

Material & Parameter

Recommend USE :Controller

Color: Black

Metal Material: Brass Gold Plated

Plastic Material: PA

FR Level: UL94 V2

Cable Spec: 8AWG

Certification: ---

Contact Resistance: 0.20mΩ

Rated Voltage: DC 500V

Rated Current: 60A

Momentary Current: 130A

Use Times: 1000 TIMES

Use Temperature: -20°C to 120°C

Insertion Force: 2.5KG-4.5KG

Remark: Data sheet will change according with the test background