

FEATURES

- Auto-restart
- Smooth and high-efficiency airflow
- Brushless DC
- Polarity protected

RS PRO, 12 V dc, DC Axial Fan, 80 x 80 x 25mm, 52.7 m³/h, 1.45W

RS Stock No.: 541-5047



RS Professionally Approved Products bring to you professional quality parts across all product categories. Our product range has been tested by engineers and provides a comparable quality to the leading brands without paying a premium price.

Product Description

The RS PRO Axial fan is 80mm x 80mm x 25mm in size. It has a supply voltage rating of 12VDC. This fan has 2800rpm motor speed. It has a maintenance-free double ball bearing life, which ensures fault-free use for a significant period of time. It also ensures that AC fans provide a flexible and dependable cooling solution for applications that require an axial fan to be mounted in any axial position. This axial fan has a power consumption rating of 1.45W.

General Specifications

Air Flow	33CFM
Fan Speed	2800rpm
Noise Level	28dB
Direction of Curve	Backwards
Frame	PBT, ULV94-0 Thermoplastic
Impeller	PBT, ULV94-0 Thermoplastic
Alarm Function	Yes
Applications	Server racks, Electrical cabinets and enclosures; Production Lines, Ceiling fan/ventilation Desktop computers, Motor engines (radiator in a car), Generators, Air compressors

Electrical Specifications

Motor	Brushless DC, locked rotor protected, Auto Restart, Polarity Protected
AC or DC Operation	DC
Power Consumption	1.45W
Supply Voltage	12VDC
Maximum Current	130mA
Insulation Resistance	Min. 10M ohm at 500VDC

Mechanical Specifications

Dimensions	80mm x80mm x25mm
Height	80mm
Width	80mm
Depth	25mm
Bearing Type	Ball
Life Expectancy	60,000 hours (L10)

Operation Environment Specifications

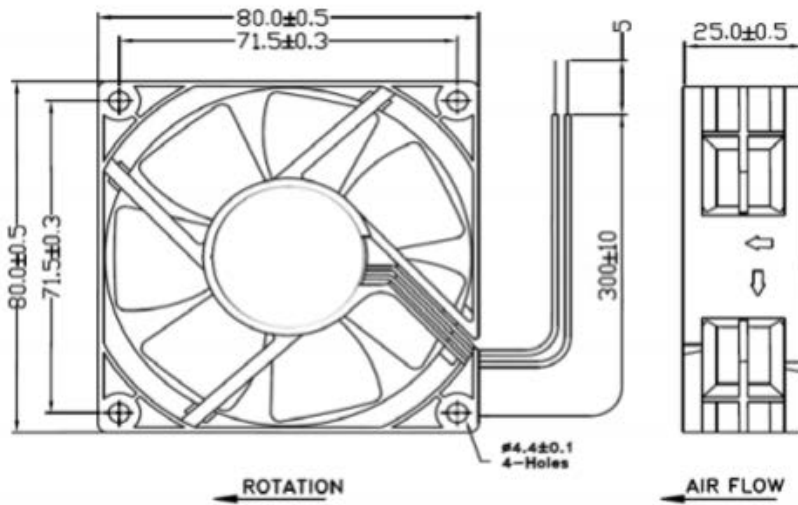
Operating Temperature	-10°C to 70°C
------------------------------	---------------

Approvals

Compliance/Certifications	UL, cUL, TUV, CE, UL94-V0
----------------------------------	---------------------------



Drawing(mm):



*Drawing for Dimensional Reference Only

RS Part Number	Orion Part Number	Speed (RPM)	Airflow (CFM)	Noise (db)	Volts (DC)	Voltage Range	Current (Amps)	Lead Type
5415053	OD8025-12HB	3300	40	33	12	6~13.8	0.25	Wire
5415047	OD8025-12MB	2800	33	28	12	6~13.8	0.15	Wire
5415031	OD8025-12LB	2000	28	21	12	6~13.8	0.12	Wire
5415306	OD8025-24HB	3300	40	33	24	12~28	0.16	Wire
5415299	OD8025-24MB	2800	33	28	24	12~28	0.1	Wire
5415283	OD8025-24LB	2000	28	21	24	12~28	0.09	Wire

Data Tolerance +/- 10%