

FEATURES

- All Fluids compatible
- Mechanical resistance
- Silicon free

RS PRO SILENCER WITH SLOT FOR SCREWDRIVER

RS Stock No.: 2312550



RS PROfessionally Approved Products bring to you professional quality parts across all product categories. Our product range has been tested by engineers and provides a comparable quality to the leading brands without paying a premium price.

Product Description

The RS PRO silencer with slot for screwdriver mainly used in compressed air, pneumatic automation, industrial water circuit applications. High performances in pressure and temperatures (+300°C). Available with sharp threads. RoHS and REACH compliant.

General Specifications

Type	Threaded
Filtration Threshold	120µm
Material	Nickel Plated Brass
Body Material	Brass
Shape	Straight
Applications	Pneumatic Automation, Industrial water circuits, Inert Gases, Fluids, Steam, Vacuum

Mechanical Specifications

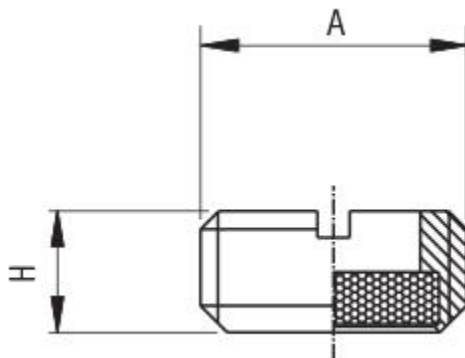
Inlet Connection Type	Threaded
Threaded Inlet Connection	G1/4in Male
Threaded Inlet Connection Thread Size	1/4in
Threaded Inlet Connection Thread Gender	Male
Maximum Input Pressure	10bar
Width	6mm

Operation Environment Specifications

Maximum Operating Temperature	+80°C;°F
Minimum Operating Temperature	-10°C

Similar Products

Parameters	2312550	2312549
Brand	RS PRO	RS PRO
Type	Threaded	Threaded
Filtration Threshold	120µm	120µm
Material	Nickel Plated Brass	Nickel Plated Brass
Body Material	Brass	Brass
Shape	Straight	Straight
Inlet Connection Type	Threaded	Threaded
Threaded Inlet Connection	G1/4in Male	G1/8in Male
Threaded Inlet Connection Thread Size	G1/4in	1/8in
Threaded Inlet Connection Thread Gender	Male	Male
Maximum Input Pressure	10bar	10bar
Width	6mm	4mm
Maximum Operating Temperature	+80°C	+80°C
Minimum Operating Temperature	-10°C	-10°C
Applications	Pneumatic Automation, Industrial water circuits, Inert Gases, Fluids, Steam, Vacuum	Pneumatic Automation, Industrial water circuits, Inert Gases, Fluids, Steam, Vacuum



A	H	Pack.
1/4	6	10