

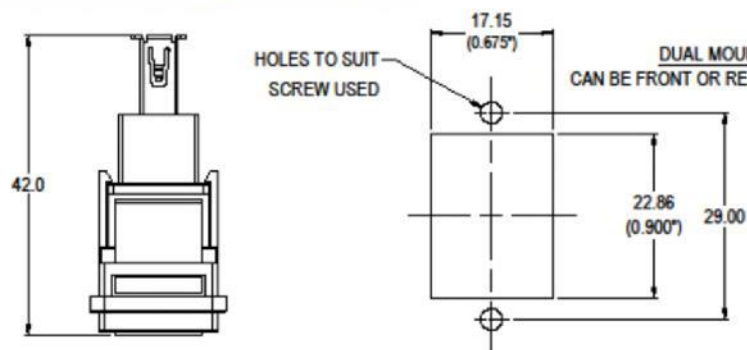


ENGLISH

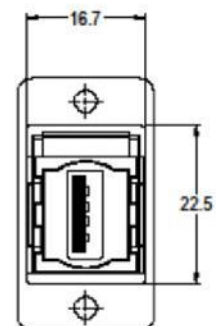
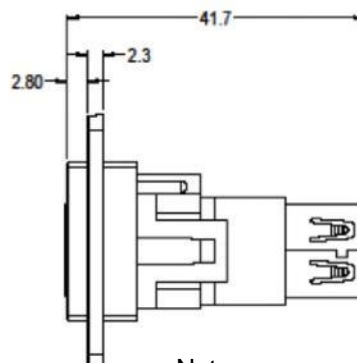
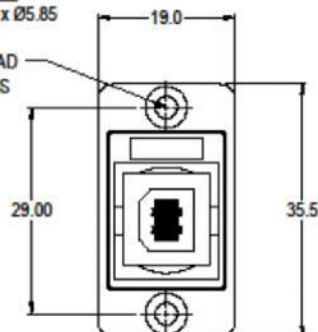
## Datasheet

# RS PRO SLIM DUAL MOUNTING METAL FRAME USB2.0 B-A FT CONNECTOR

Stock No: 2354752, 2354753



4x HOLE VARIANTS  
Ø3.2mm CSK 90° x Ø5.85  
M3 x 0.5 THREAD  
#4-40 UNC THREAD  
PLAIN Ø3.2 HOLES



Material:  
1. Insert: ABS  
2. Frame: Diecast, Nickel or black plated  
3. Shell: Nickel plated steel  
4. Contacts: Gold Plated

[rspro.com](http://rspro.com)

### Notes:

1. Voltage rating: 30V AC
2. Current rating: 1.5 A max
3. Contact resistance: 50mΩ max
4. Insulation resistance: 20MΩ min
5. Dielectric withstanding voltage: 500V AC
6. Operating Temperature: -20°C to 50°C

### Features & Benefits:

- Fits standard rectangular cutout.
- Front or rear mounting through the panel.
- Various hole mounting options
- No soldering or punch termination. Use standard cable for each connector style.
- Low rear profile.

### General:

Please note: Functionality is affected by cable quality, length and cable wiring configuration.

### Variants

**2354752** – DUALSLIM USB2.0 B-A Nickel frame, CSK holes

**2354753** - DUALSLIM USB2.0 B-A Black metal frame, CSK holes

### Applications

- Space and aviation
- Education
- Industrial
- Broadcast and A/V
- Transportation
- Medical
- Vending and gaming

