

FEATURES

- 24 V dc Supply Voltage
- Sintered bronze bearings
- Spur gear head
- Five pole armature with VDR suppression

RS PRO, 24 V dc, 20 Ncm DC Geared Motor, Output Speed 75 rpm

RS Stock No.: 258-8316



RS Professionally Approved Products bring to you professional quality parts across all product categories. Our product range has been tested by engineers and provides a comparable quality to the leading brands without paying a premium price.

Product Description

From RS Pro, this DC geared motor is ideal for low speed applications that require high starting torque. The brushed motor ensure a low cost and simplified design, while offering versatility and reliability. A robust unit with a high quality five pole armature, this DC motor is fitted with an all metal gearhead with sintered iron gears running on hardened steel shafts. With a spur gearbox, the output shaft runs in sintered bronze bearings that facilitate high torque transfer from the motor through the gearbox. The gear motor features a durable construction, and is designed for most low voltage applications, providing a 75 rpm no-load speed.

General Specifications

Output Speed (No Load)	75rpm
Gearhead Type	Spur
Gear Ratio	50:1
Power Rating	1.692 W
Applications	Vending machines, Magnetic card readers, Printer mechanisms, Actuators, All types of coin control systems

Electrical Specifications

Supply Voltage	24V dc
Current Rating (No Load)	30mA
Maximum Output Torque	20Ncm

Mechanical Specifications

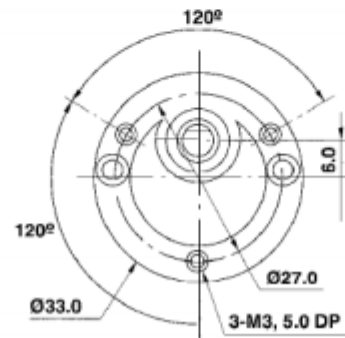
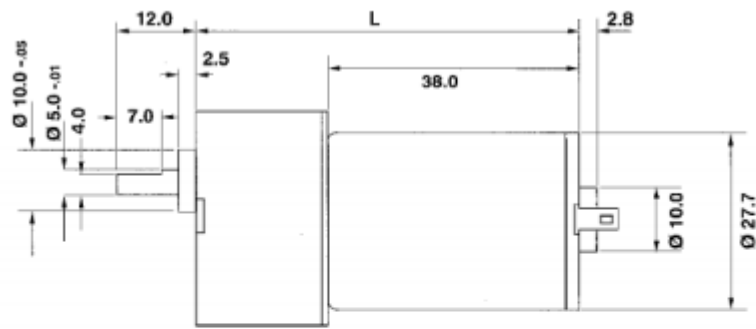
Shaft Diameter	5mm
Core Construction	Iron Core
Dimensions	57.8mm x 27.7mm
Length	57.8mm
Width	27.7mm
Weight	140gms

Gearbox Housing Material	Metal
Radial Load (10mm from flange)	50N
Shaft Axial Load	33N
Radial Play of Shaft	0.08mm
Thrust Play of Shaft	0.50mm

Approvals

Compliance/Certifications	2011/65/EU and 2015/863
Standards Met	ANSI/ESD S20.20:2014 and BS EN 61340-5-1:2007





All dimensions in millimetres

