



ENGLISH

Datasheet

RS Article:1854691

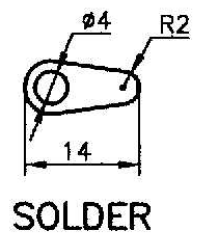
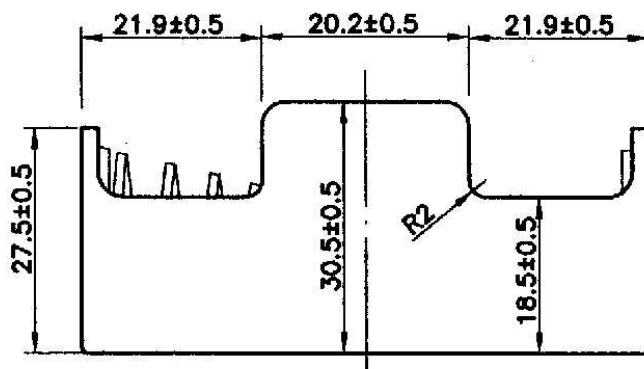
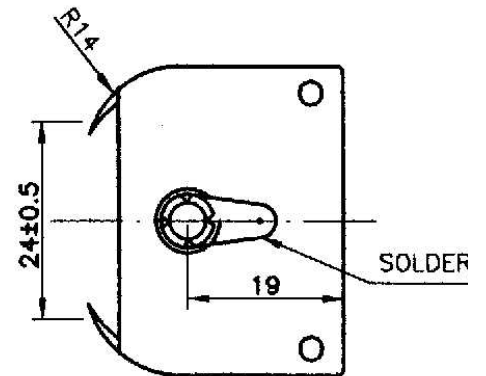
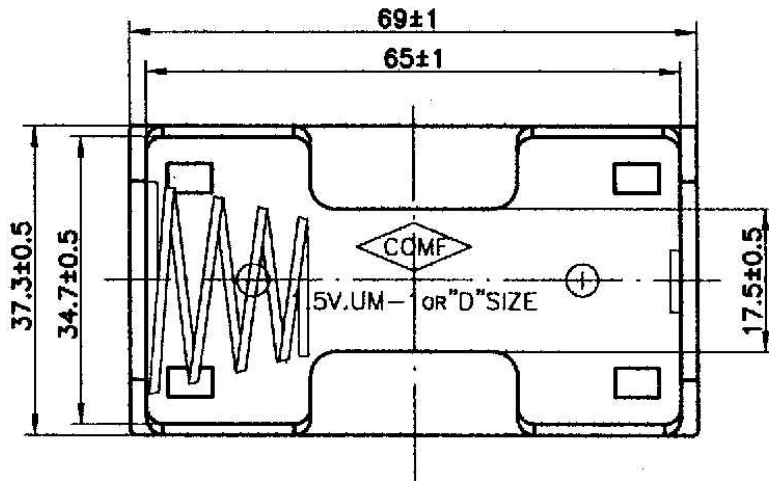
RS Pro Battery Holder



1. Preface:

The purpose of this product specification is to Dimension and drawing

D x 1 with Tag



SPECIFICATION

- (1) ITEM NO.: 1854691
- (2) WITH SOLDER TERMINAL
- (3) MATERIAL: P.P. RESIN,
BLACK COLOR
- (4) SPRING: 0.8 MM 65C SPRING
WIRE

Measure: mm