



Datasheet

RS PRO Hermetically Sealed Enclosures

Stock number: 1862249

EN



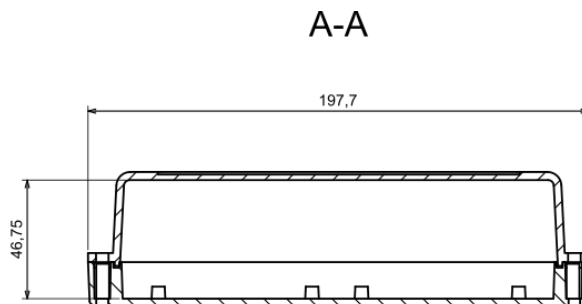
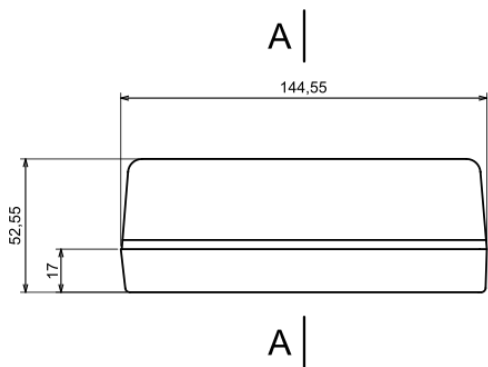
Product Details

Hermetic enclosure ideal for applications requiring protection against water ingress. Supplied with silicon gasket that provides IP65 rating. Lid manufactured with recess for membrane keypads and overlays.

Features and Benefits

- Made of ABS
- Available in black color
- Protection against liquids and solid objects: IP65 rating
- Protection against mechanical impacts: IK07 rating
- Supplied with silicon gasket and four screws
- Lid with recess for keypads and overlays

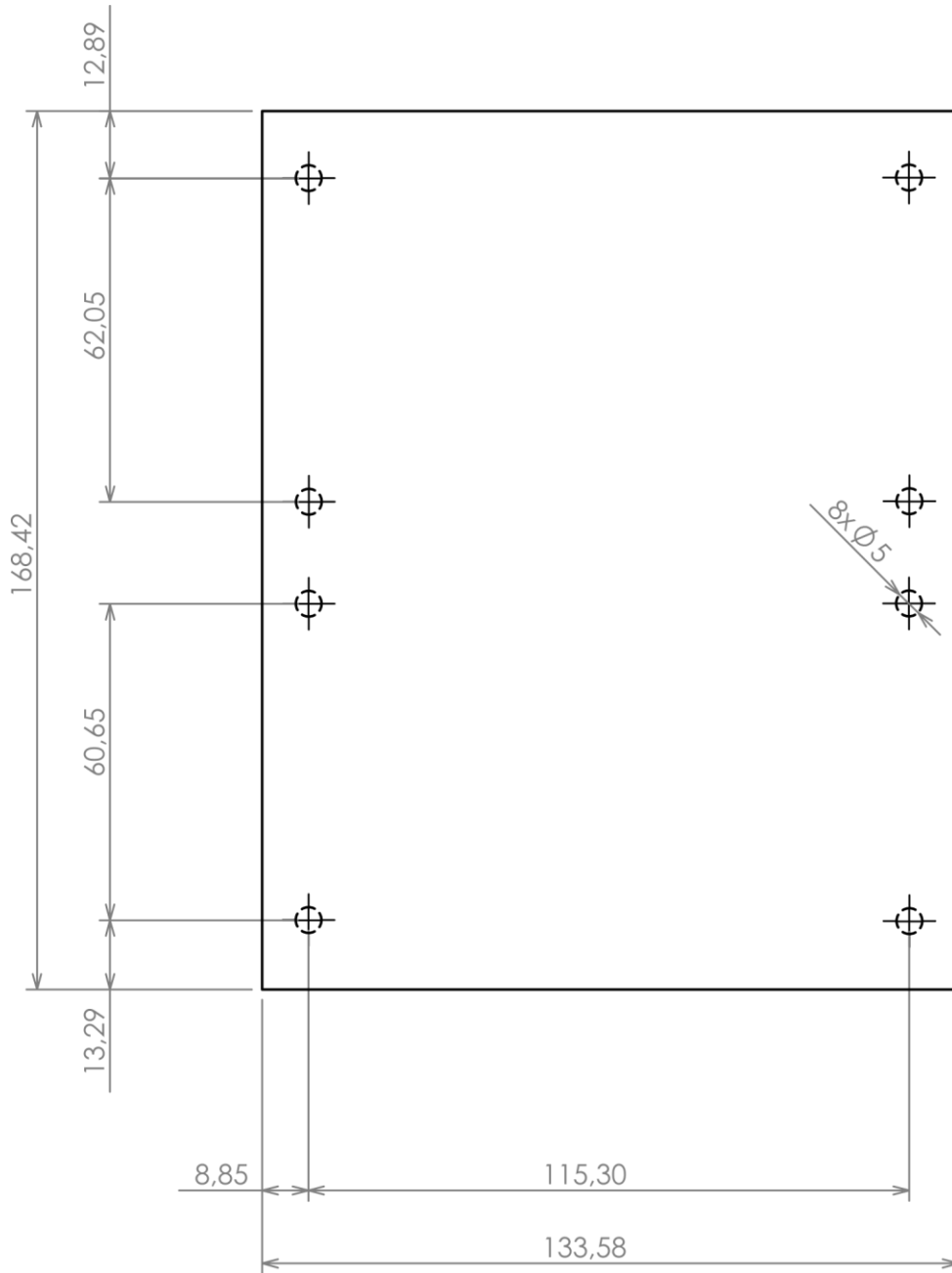
rspro.com



Category	Hermetically sealed Enclosures
Type	Full
Material	ABS
Variant	Hermetic (with silicon gasket) (H)
Height	52.6 mm
Width	144.6 mm
Length	197.8 mm
Color	Black
Protection level	IP65
Shock protection level	IK07
Standard Met	RoHS Compliant
Accessories	Screw 3/16: 4.0 pcs
Certificate number	CE/032/18



Max PCB size



Dashed line shows outline of the mounting boss under PCB board
Recommended mounting holes diameter ø3,5mm