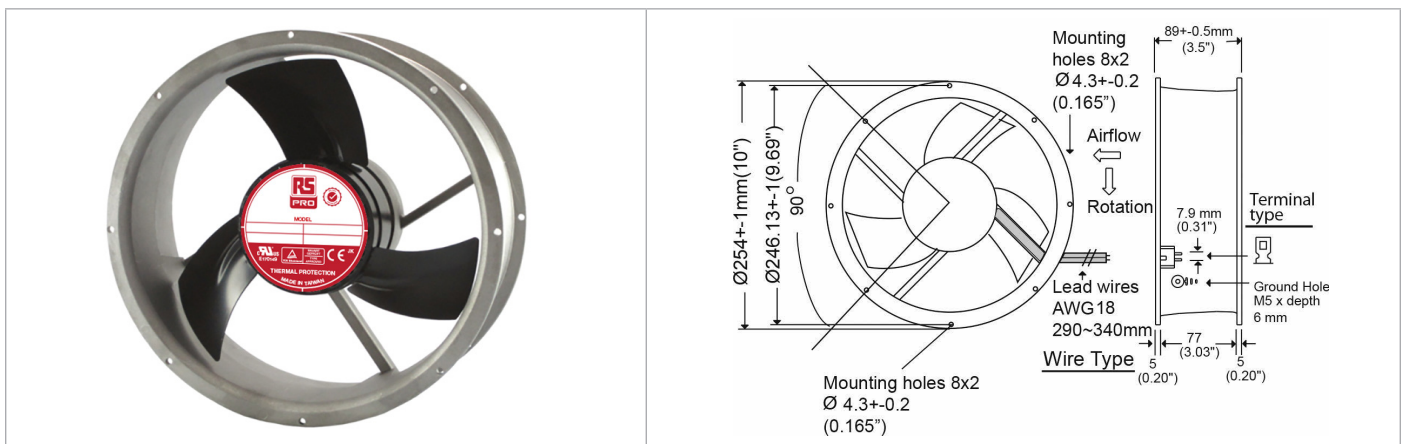




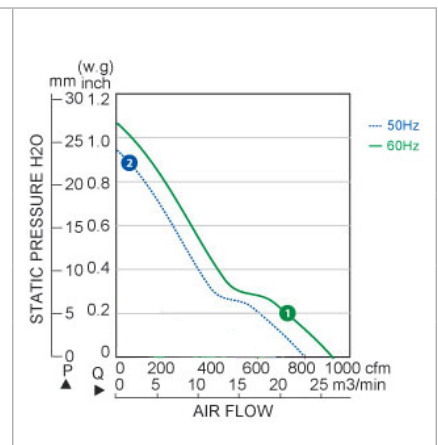
Datasheet

RS PRO AC AXIAL FAN 254 × 89mm, ALL METAL IP56

EN



Frame	Diecast Aluminum	<u>Operating Temperature</u>
Impeller	Metal Alloy	Ball Bearing -30C ~ +80C
Connection	2x Lead Wires 18 AWG or terminals	(non-condensing) Storage Temp -40C ~ +100C
Motor	AC Capacitor Induction, thermally protected	<u>Life Expectancy</u>
Bearing System	Dual ball bearing	Ball Bearing 50,000 hours (L10 at 55C)
Insulation Resistance	>100M ohm between lead-wire and frame (500VDC)	Environmental Protection IP56
Dielectric Strength	1 min at 1500 VAC, 50/60Hz	Weight:~ 2.13 kg (4.71 lbs)



Model Number	175-9829	175-9830
Connection	Wire Leads	Terminals
Rated Speed (RPM)	2800 / 3300	2800 / 3300
Airflow - CFM	800 / 930	800 / 930
Noise Level - (dB)	67	67
Volts	230	230
Voltage Range	200-240	200-240
Watts	95 / 105	95 / 105
Max. Static Pressure	0.96" / 1.07" H ₂ O	0.96" / 1.07" H ₂ O
Curves	1 (50Hz) / 2 (60Hz)	1 (50Hz) / 2 (60Hz)