

FEATURES

- Piezo buzzer with a continuous tone
- Panel mounting
- Minimum supply voltage of 60 V ac/dc
- Maximum supply voltage of 250 V ac/dc
- 87 dB sound level
- Internal drive
- Diameter of 42.5 mm
- Height of 33 mm
- Operating temperature range of -30°C to +85°C
- Supply current of 18 mA
- Minimum frequency of 2300 Hz
- Maximum frequency of 3.3 kHz

RS PRO 87dB, Panel Mount Continuous Internal Piezo Buzzer

RS Stock No.: 535-8477



RS Professionally Approved Products bring to you professional quality parts across all product categories. Our product range has been tested by engineers and provides a comparable quality to the leading brands without paying a premium price.

Product Description

These internal piezo buzzers from our RS PRO range can operate between 60 V AC/DC and 250 V AC/DC. They combine this high-voltage range with a loud and continuous sound. These buzzer components need only an 18 mA supply current and can function between -30°C to +85°C. Because piezo buzzers don't use magnets or coils to create sound, they won't affect surrounding circuitry. This makes them versatile and less likely to malfunction when connected to higher-voltage, heavy-duty equipment. They produce a continuous 87 dB tone that can be clearly heard – even in noisy environments.

General Specifications

Mounting Type	Panel Mount
Sound Level	87dB
Drive Type	Internal
Tone Type	Continuous
Colour	Black
Application	Alarms or warning systems, communications equipment and electronic cash registers.

Electrical Specifications

Minimum Supply Voltage	60V ac/dc
Maximum Supply Voltage	250V ac/dc
Maximum Frequency	3.3kHz
Minimum Frequency	2300Hz
Supply Current	18mA

Mechanical Specifications

Diameter	42.5mm
Height	33mm
Dimensions	42.5 (Dia.) x 33mm
Sound Level Distance	30cm

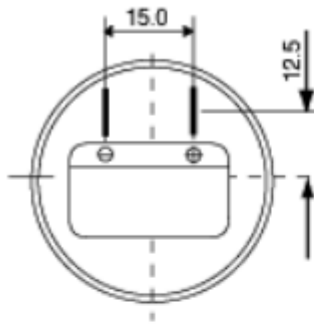
Operation Environment Specifications

Minimum Operating Temperature	-30°C
Maximum Operating Temperature	85°C

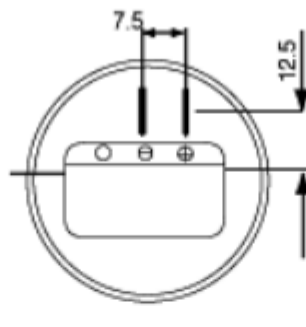
Approvals

Compliance/Certifications	ANSI/ESD S20.20:2014, BS EN 61340-5-1:2007
---------------------------	--

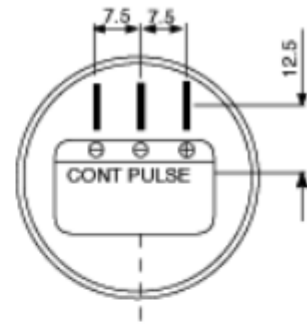




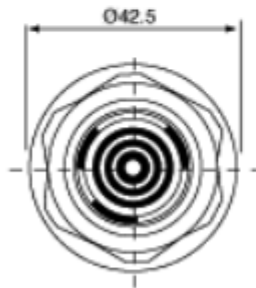
Bottom View 3



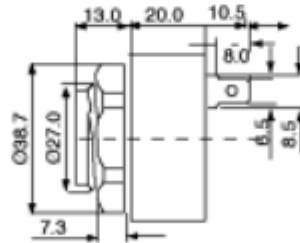
Bottom View 4



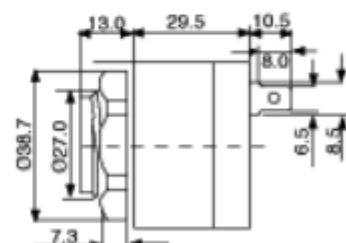
Bottom View 5



Top View



Side View D



Side View E

Tolerance: $\pm 0.5\text{mm}$ Unit: mm