

Datasheet

RS PRO M12 Male Straight 4 Pin Screw Type Connector

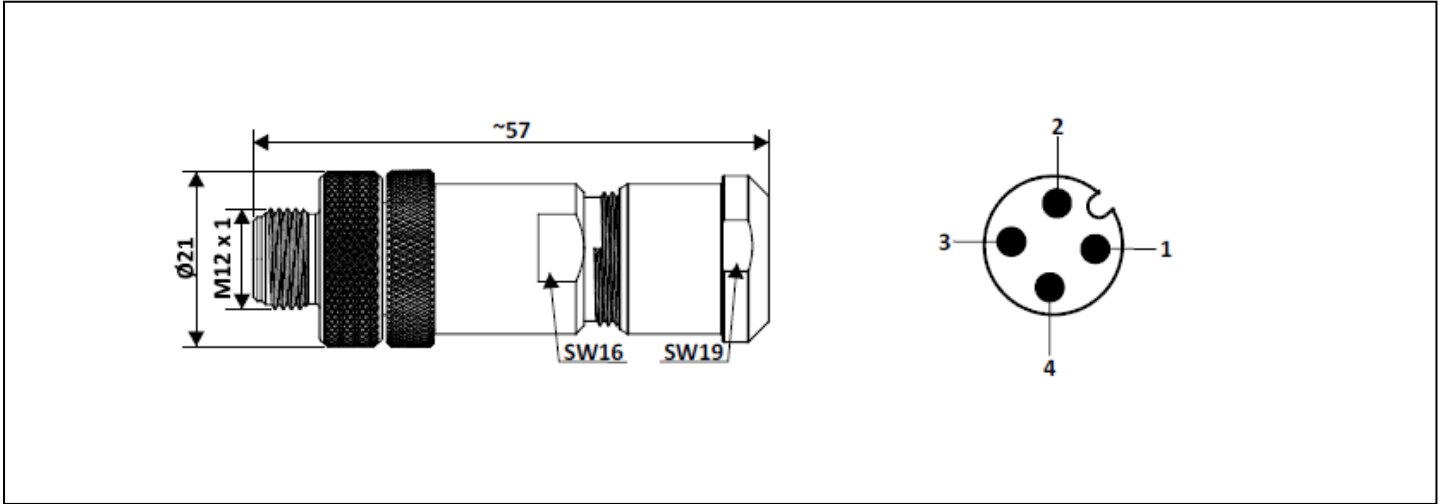
Part No: 2017153



Technical Specifications:

Rated Operational Voltage	250 V
Current Rating	4 A
Insulation Resistance	≥100 MΩ
Temperature Range	-25° ... +75°C
Coding	A-Coded
Degree of Protection	IP67
Housing Material	Brass Nickel-plated
Contact	Cu-Zn
Contact Plating	Nickel-plated
Contact Carrier	Nylon 66
O-ring	Neoprene
Coupling Nut	Brass Nickel-Plated
Housing Colour	Silver

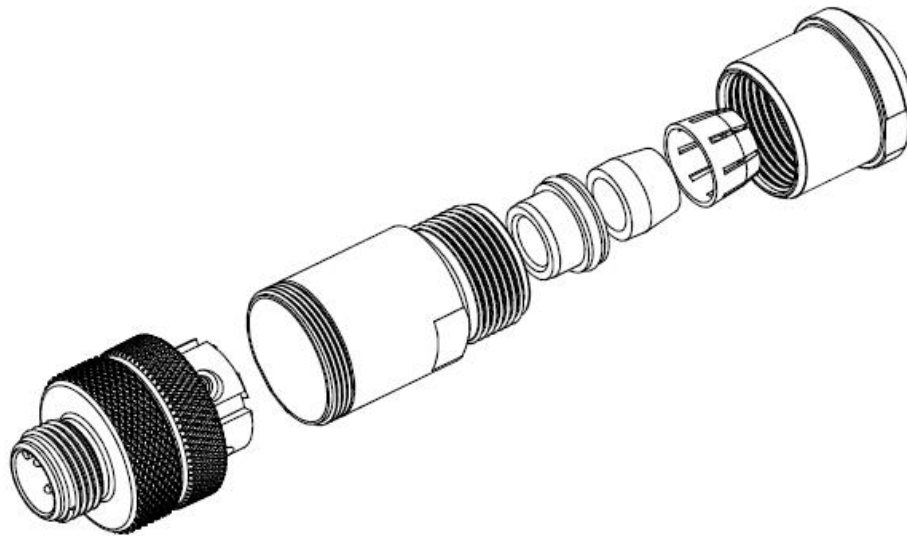
Termination	Screw Type (1 Sqmm Max.)
Pole	4
Cable Diameter	3.5 - 6 mm (PG7)



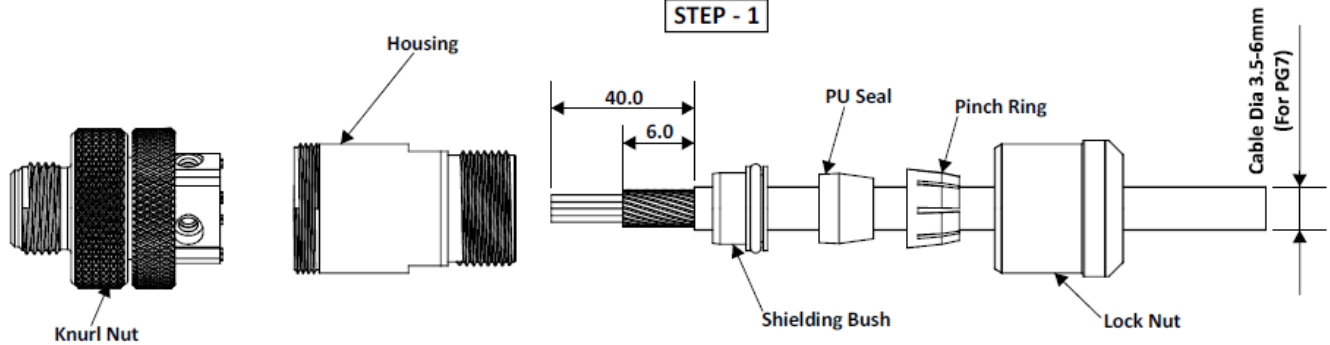
Quality Standard: IEC 61076-2-101



Assembly Instruction



STEP - 1



STEP - 2

Cable Shield Wrap Around Shielding Bush and Then Press Into Housing

