

## Datasheet

ENGLISH

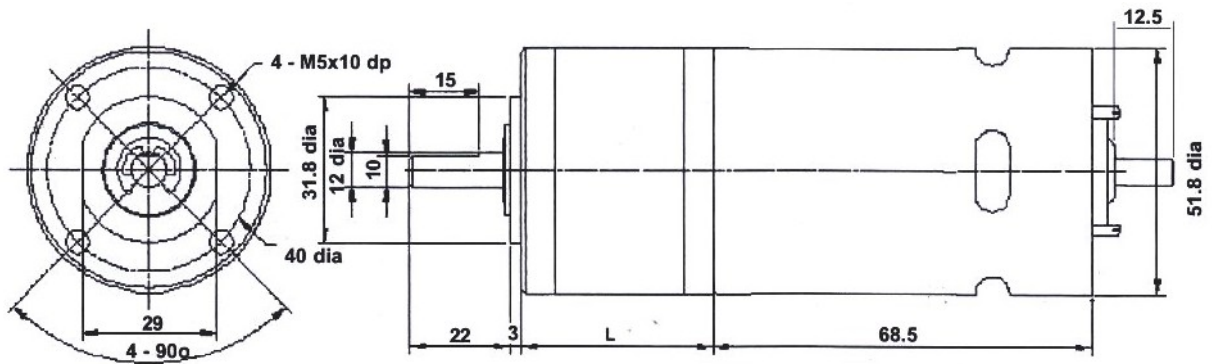
# RS PRO, 12 V dc, 2781 gcm, Brushed DC Geared Motor, Output Speed 1250 rpm

Stock No: 420-625



### Specifications:

Output Speed	1250 rpm
Supply Voltage	12 V dc
Maximum Output Torque	2781 g.cm
DC Motor Type	Brushed
Shaft Diameter	12mm
Power Rating	38.7 W
Gearhead Type	Planetary
Length	122mm
Width	51.8mm
Current Rating	4.61 A
Weight	976g



Operating relative humidity 20% ~ 85%  
 Operating temperature range -10°C ~ +60°C

Ratio	L
4:1	53.5mm

Gearbox Housing material	Metal
Backlash at no-load	< 3°
Bearing at output	Ball bearings
Radial load (10mm from flange)	< 20 kgf
Shaft axial load	< 10 kgf
Shaft press fit force max	< 30 kgf
Radial play of shaft	< 0.04mm
Thrust play of shaft	< 0.3mm

Reduction Ratio	Rated tolerance Torque	Max momentary Tolerance Torque	Efficiency
1/4	10.0 kgf-cm Max.	30.0 kgf-cm	80%

Reduction Table RPM SUPPLY VOLTAGE	6v	12v
420-625	625	1250

Note: Motor speeds may vary by (+) or (-) 12.5%