



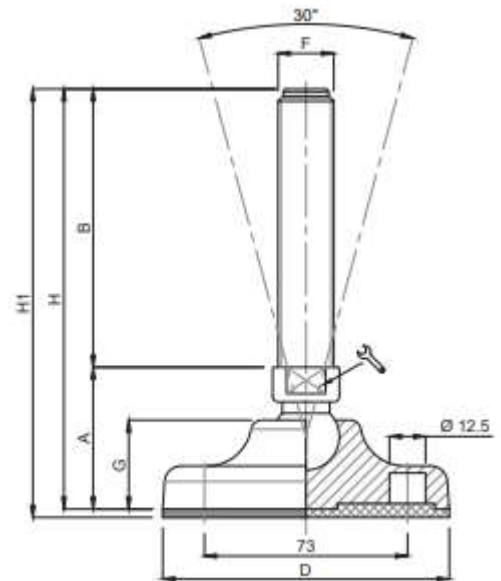
ENGLISH

RS PRO Mild Steel Height Adjustable Plastic Mounts

The RS Pro Height Adjustable mounts are used for levelling and support in many applications including food processing units, packing systems and conveyor systems.

The Plastic Foot base is made from a black polyamide material, reinforced by fiber glass, along with the Mild Steel thread.

These mounts have 30 degree articulation capabilities.



Article Number	A (mm)	B (mm)	D (mm)	F	G (mm)	H (mm)	Static Load (kg)	Metal Type	Articulation (Degrees)
2245782	51	150	103	M20	32	201	2500	Mild Steel	30
2245783	51	200	103	M20	32	251	2500	Mild Steel	30
2245784	52	200	103	M24	32	252	2500	Mild Steel	30