

## FEATURES

- Full port 1/4" to 4" (DN8 to DN100)
- Investment casting
- Blow-out proof stem
- Locking device
- ISO 5211 Mounting pad

## RS PRO Stainless Steel High Pressure Ball Valve 1 in 2 Way

RS Stock No.: 764-4247



RS Professionally Approved Products bring to you professional quality parts across all product categories. Our product range has been tested by engineers and provides a comparable quality to the leading brands without paying a premium price.

## Product Description

RS Brand Stainless Steel Screwed End Ball Valves for the control of flow.

## General Specifications

|                            |   |
|----------------------------|---|
| <b>Threaded Connection</b> | 1in BSPP  |
| <b>Attachment Type</b>     | Threaded  |
| <b>Body Material</b>       | ASTM A351-CF8M  |
| <b>Thread Size</b>         | 1in   |
| <b>Safe For Use With</b>   | Gas, Oil, Water                                       |
| <b>Ball Material</b>       | ASTM A351-CF8M  |
| <b>Handle Material</b>     | Stainless steel                                       |
| <b>Type</b>                | 2 Way   |
| <b>Application</b>         | Heating systems; Water treatment; Liquid flow control |

## Mechanical Specifications

|                        |        |
|------------------------|--------|
| <b>Connection Size</b> | 25mm   |
| <b>Torque</b>          | 12.5Nm |
| <b>Weight</b>          | 1kg    |

## Operation Environment Specifications

|                                 |                |
|---------------------------------|----------------|
| <b>Working Temperature</b>      | -20°C to 200°C |
| <b>Maximum Working Pressure</b> | 1000 psi       |

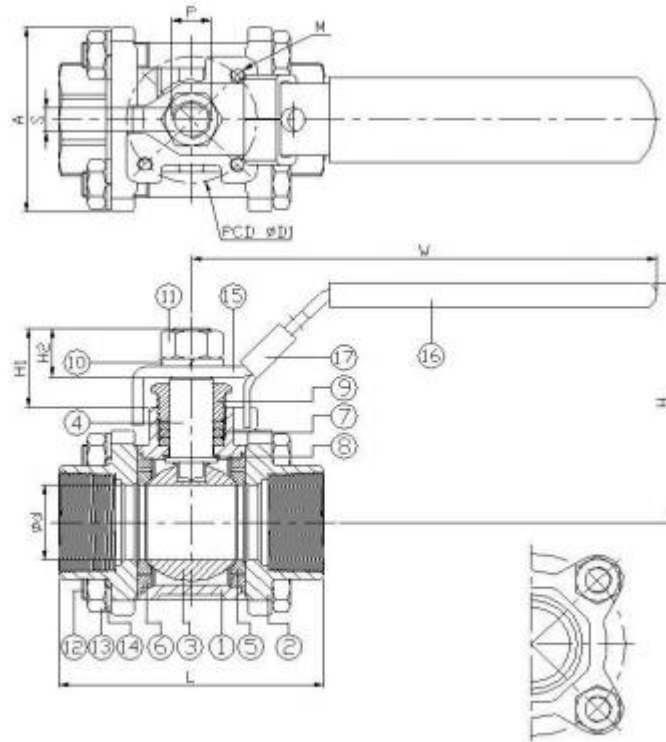
## Approvals

Compliance/Certifications

ISO-5211



Figure 1



| ITEM | PARTS          | MATERIAL        |
|------|----------------|-----------------|
| 1    | BODY           | ASTM A351-CF8M  |
| 2    | CAP            | ASTM A351-CF8M  |
| 3    | BALL           | ASTM A351-CF8M  |
| 4    | STEM           | ASTM A276-316   |
| 5    | SEAT           | PTFE / RTFE     |
| 6    | SEAL           | PTFE            |
| 7    | PACKING        | PTFE            |
| 8    | THRUST WASHER  | PTFE            |
| 9    | GLAND NUT      | AISI 304        |
| 10   | SPRING WASHER  | AISI 304        |
| 11   | STEM NUT       | AISI 304        |
| 12   | BOLT           | AISI 304        |
| 13   | NUT            | AISI 304        |
| 14   | SPRING WASHER  | AISI 304        |
| 15   | HANDLE         | STAINLESS STEEL |
| 16   | HANDLE SLEEVE  | PVC             |
| 17   | LOCKING DEVICE | STAINLESS STEEL |

| DN | d  | L  | H  | H1   | H2   | W   | S | A    | D1 | M  |
|----|----|----|----|------|------|-----|---|------|----|----|
| 25 | 25 | 85 | 77 | 25.6 | 16.2 | 149 | 8 | 58.2 | 42 | M5 |

| P              | ISO 5211 | Torque (N-M) | Weight (kg) |
|----------------|----------|--------------|-------------|
| 7/16" – 20 UNF | F04      | 12.5         | 1           |