



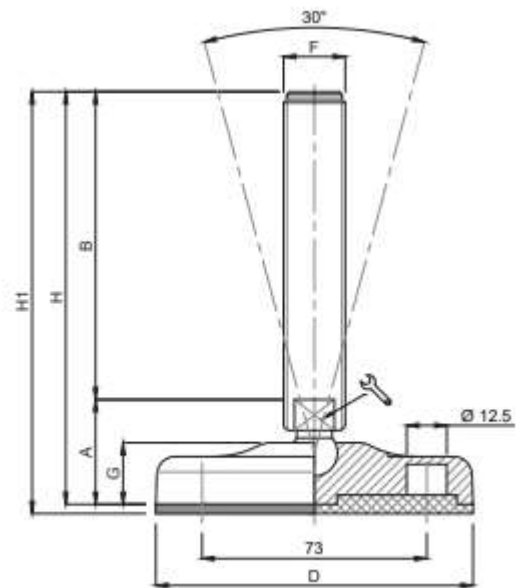
ENGLISH

## RS PRO Stainless Steel Height Adjustable Plastic Mounts

The RS Pro Height Adjustable mounts are used for levelling and support in many applications including food processing units, packing systems and conveyor systems.

The Plastic Foot base is made from a black polyamide material, reinforced by fiber glass, along with the Stainless Steel thread these are often used in food safe and cleanroom applications.

These mounts have 30 degree articulation capabilities.



Article Number	A (mm)	B (mm)	D (mm)	F	G (mm)	H (mm)	Static Load (kg)	Metal Type	Articulation (Degrees)
2245781	37	150	103	M24	20	187	2500	Stainless Steel 304	30