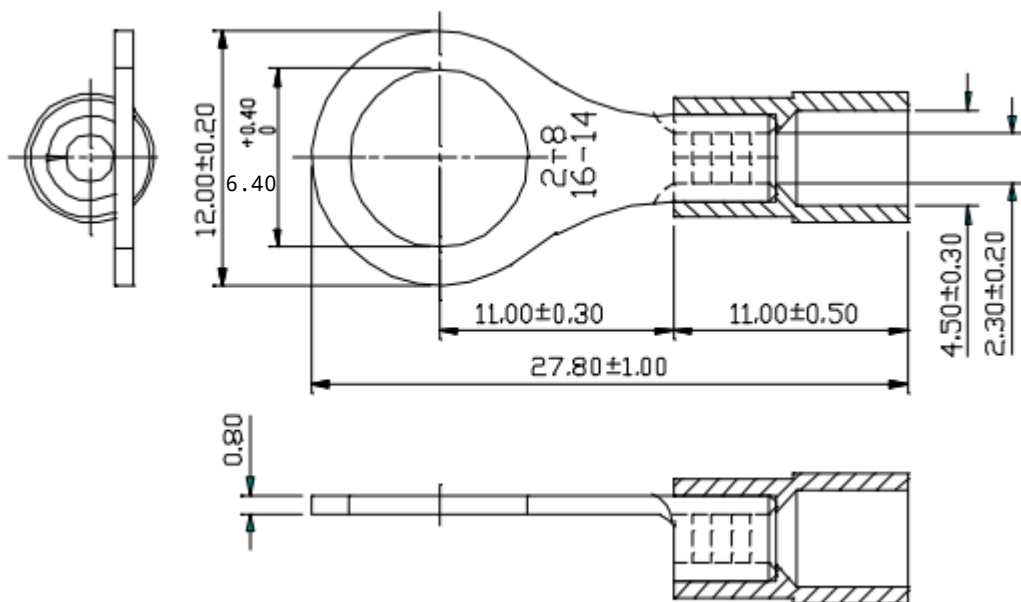


Datasheet

RS Crimp Ring Terminal in Red

RS Stock number [613-9255](#)

Dimensions: (mm)



Specifications

Materials :

- Maximum Electrical Rating: 75 °C 600 Volts Max
- Insulation Material: Vinyl
- Insulation Colour: Red
- Terminal Material: Copper
- Wire Range: 16-14AWG (1.5-2.5mm²)