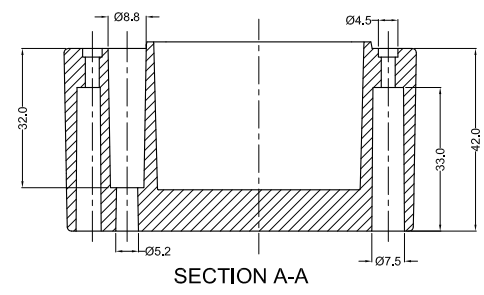
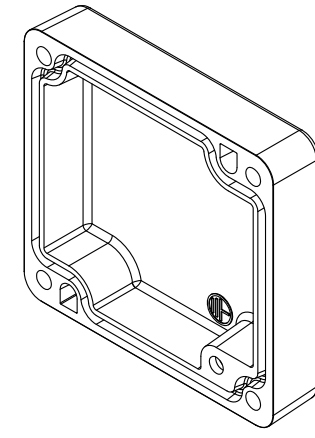
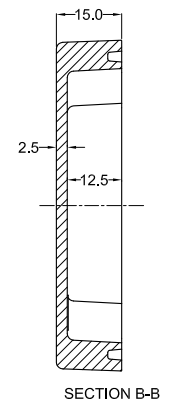
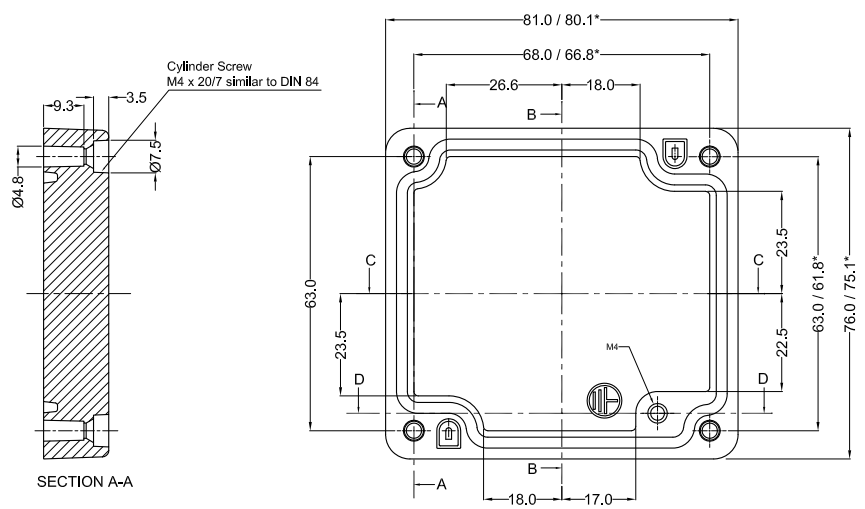


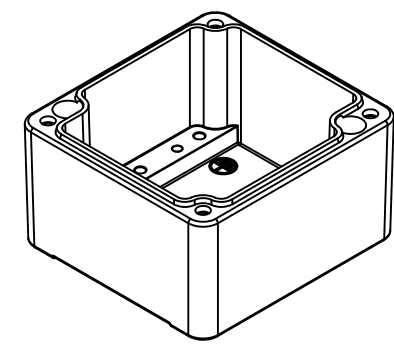
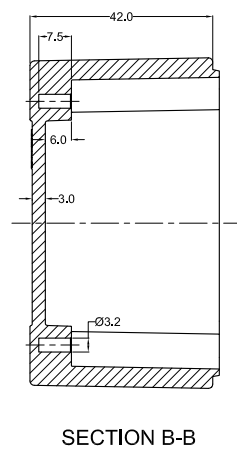
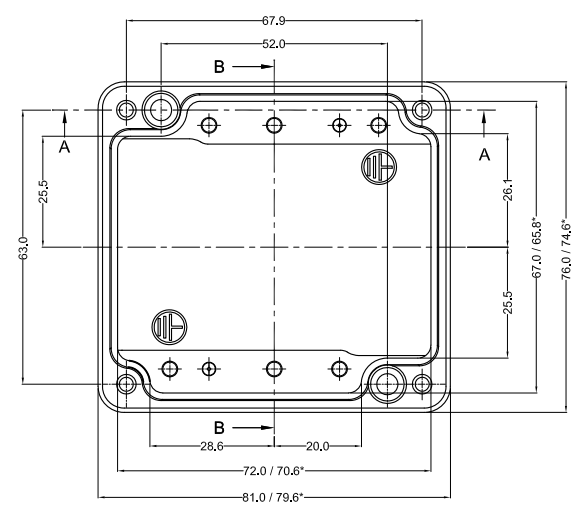
* = Conical form tapering downward.
 Untoleranced dimensions per GTA 13/5 DIN 1688

OPTIONAL ACCESSORIES		
PART NAME	QTY.	AVILABILITY
MOUNTING PLATE	1	Y
EXTERNAL HINGE	-	N
INTERNAL HINGE	-	N
MOUNTING BRACKETS	-	N
NEOPRENE/SILICON GASKET	1	Y
DIN RAIL TS15	1	Y
DIN RAIL TS35	-	N

LID



BASE



-	-	-	-	-	-	-
NO.	REV.NO.	DESCRIPTION	DATE	DRAWN	CHECKED	
QUANTITY	MATERIAL :-	MACH.NAME	DATE	SIGN	NAME	
-	Alsi12	-	05/03/13		RRPL	DESIGN
	Din230		05/03/13		MANOJ	DRAWN
		TITLE :-			PAVAN	CHECKED
		JUNCTION BOX			S.D.	APPROVED
		75 x 80 x 57				
WEIGHT: -		FINISH: NATURAL	SCALE		PARTNO. -	
TOLERANCE			REV		DRG. NO.	
±0.1	DIMENSIONS		0		AJB-758057	
±0.1	HOLES	ALL DIMENSION ARE IN MM				
±1.0°	ANGLES	RJ 05				