

Datasheet

RS Pro T Piece Cable Conduit Fitting, Steel Enamelled 20mm nominal size

RS Stock No: **228-700**



Product Details

RS Pro T piece cable conduit fitting in black colour, is made of steel with enamelled finish. It comes with a nominal size of 20 mm. This conduit fitting has two M4 tapped (50.8 mm centre) holes for lid fixing and one M4 tapped hole in base for earth screw.

Features and Benefits

- Nominal size of 20 mm
- Steel construction
- T-piece type fitting
- BS4568 part 2 product finish classification
- Class 2 - black enamelled inside and outside
- Class 3 - pre-galvanised sheet steel
- Class 4 - hot dipped galvanised inside and outside
- Comes in enamelled finish



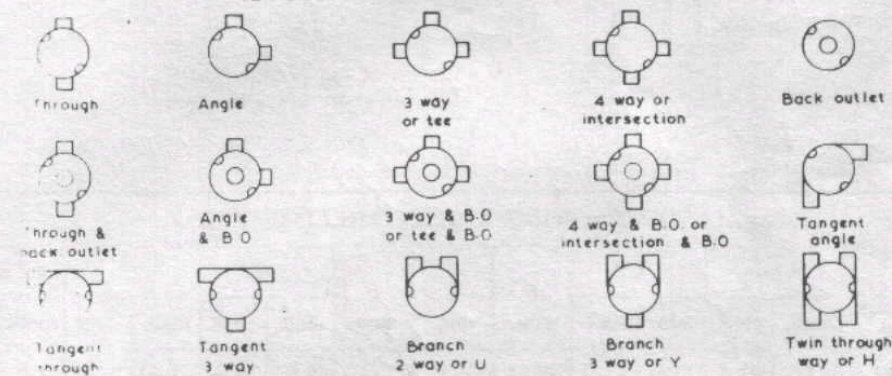
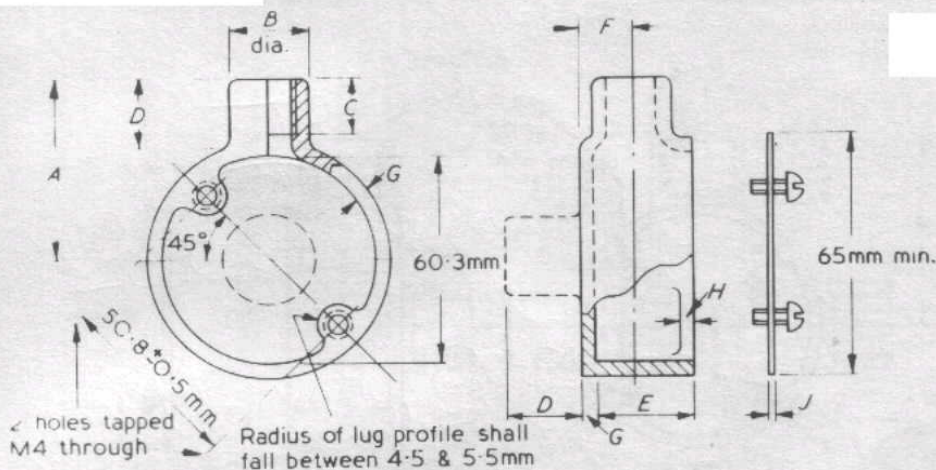
ENGLISH

Specifications:

Finish	Black Enamel
Fitting Type	T Piece
Material	Steel
Nominal Size	20 mm
Standards Met	BS EN 50086

Material: mall. cast iron and/or steel	Boxes, circular, small, internally screwed and flat covers
--	--

This drawing does not purport to show constructional details.



ALL DIMENSIONS ARE IN MILLIMETRES

Nom. size	A approx.	B min.		C		D min.	E min.	F nom.	G min.		H min.		J min.	
		mall.	steel	min.	max.				mall.	steel	mall.	steel	mall.	steel
16	50.0	19.2	17.5	13.5	15.5	17.5	25.0	11.0	2.00	1.47	2.8	1.47	2.40	1.15
20	51.5	23.2	21.5	15.0	17.0	19.0	25.0	13.0	2.00	1.47	2.8	1.47	2.40	1.15
25	54.5	28.4	26.7	18.0	20.0	22.0	28.0	15.8	2.00	1.47	2.8	1.47	2.40	1.15

NOTE. Dimension G applies to unmachined parts only.