

**Product Datasheet**

**16mm Protection Cap**

Switch 16mm Flip guard 90D Square/Round

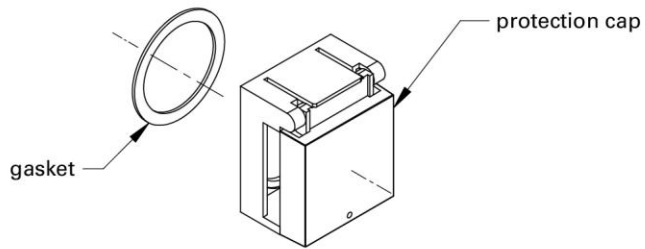
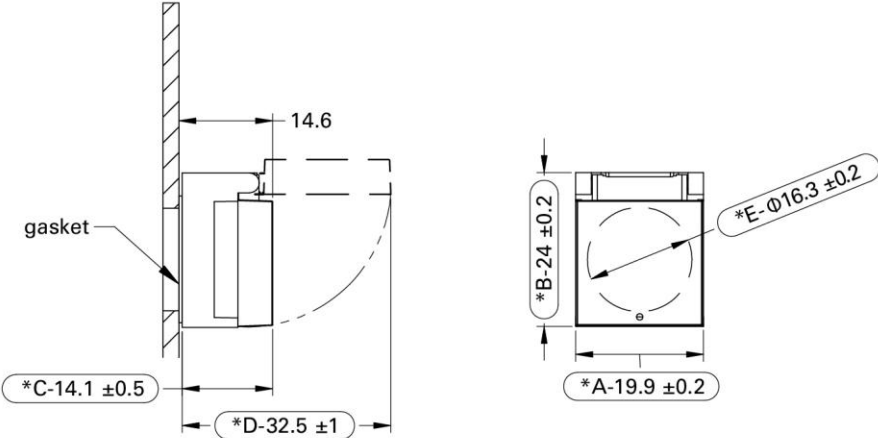


**Product Specifications:**

|               |             |         |
|---------------|-------------|---------|
| Material      | Cover       | Plastic |
|               | Base        | Plastic |
|               | Gasket      | Rubber  |
| Mounting hole | Φ16.2mm     |         |
| Optics        | Transparent |         |

**16mm protection cap**

To avoid faulty operation, housing for locking, transparent  
 For square 18x18 head (90°)



**Hole Dia**

