

ABI-056-RC Piezo Indicator - Slow Pulse Buzzer

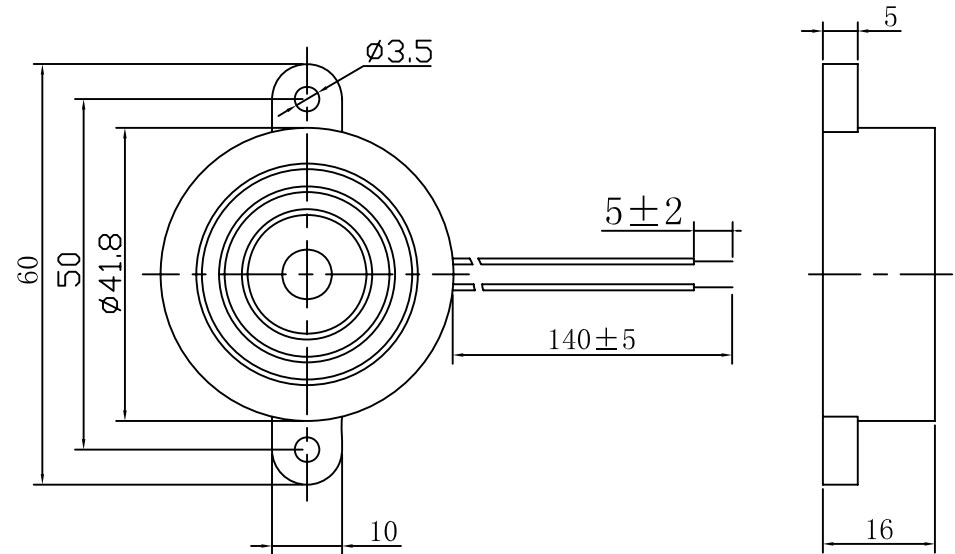
SOUNDERS & BUZZERS

Specifications

	ABI-056-RC
Rated voltage	12VDC
Operating voltage	3~28VDC
Rated current*	≤9mA
Sound output at 30cm*	≥90dB
Resonant frequency*	2800±500Hz
Tone	Slow Pulse 1.2±30%Hz
Operating temperature	-20~+60°C
Storage temperature	-30~+70°C
Weight	15g

*Value applying at rated voltage (DC)

All data at 25°C unless otherwise specified



Dimensions Unit: mm Tolerance: ±0.5mm

Features

- ROHS compliant
- Housing material: ABS black
- Lead wire: UL1007 AWG24



ALAN BUTCHER COMPONENTS LTD

Alan Butcher Components Ltd

Unit 1 Beechwood Clump Farm Industrial Estate Tin Pot Lane Blandford Dorset DT11 7TD

Telephone 01258 456360 Facsimile 01258 459194 Email sales@abcomponents.co.uk

www.abcomponents.co.uk