

Safety Certificates

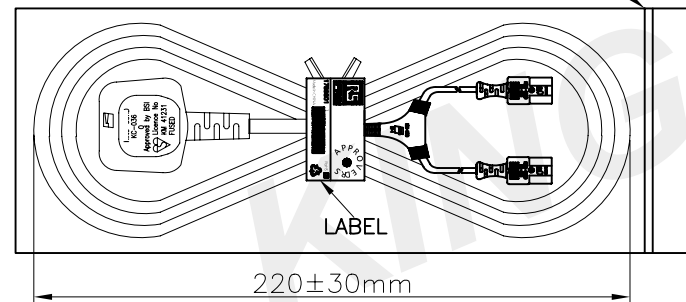
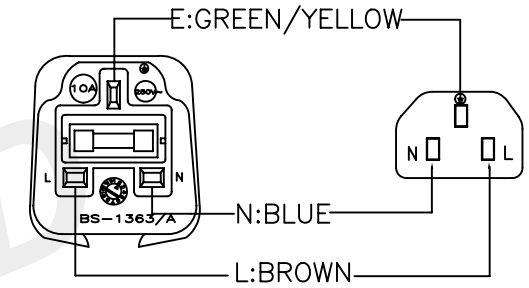
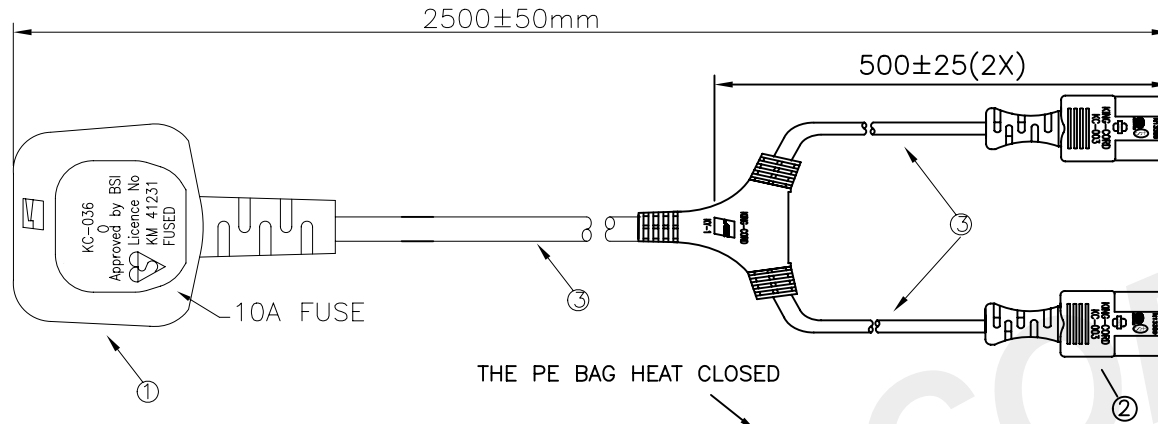
RoHS Compliant

KC-036

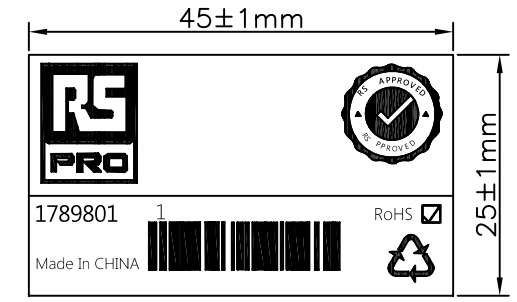
Approved by BSI
Licence No
KM 41231

KC-003

N13389



REFERENCE

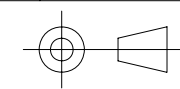


LABEL

RECORD OF CHANGE

DATE	REV	DESCRIPTION OF CHANGE
MAY.04.2018	A	NEW PRODUCT
JUN.15.2018	B	1.ADD THE CONTENT OF THE LABEL. 2.DELETE THE WIRE LABEL.
SEP.27.2018	C	1.CHANGE CUSTOMER NUMBER 818-8912 TO 1789801. 2.CHANGE LABEL CONTENT.

NO:	DESCRIPTION	Q'TY	REMARK
1	Plug:KC-036,10A 250V~	1PC	BLACK
2	Connector:KC-003,10A 250V~	2PC	BLACK
3	Cable:H05VV-F 3G*1.0mm ²	3PC	BLACK



CUSTOMER NAME:FIRST CONNECTIVITY LIMITED

CUSTOMER NO.: 1789801

UNIT:mm

NOTES:

