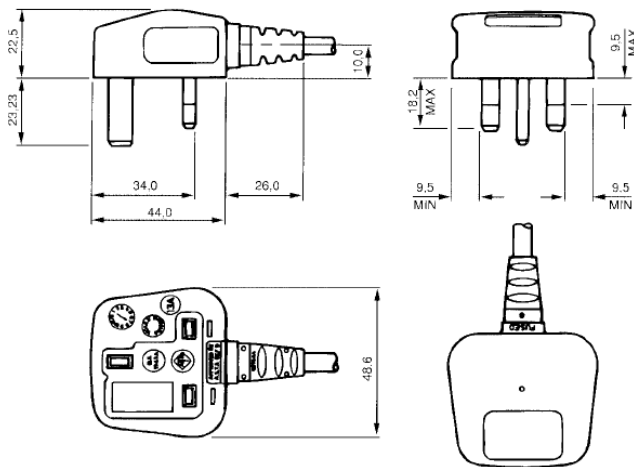


## Datasheet

### 3m Power Cord, C13 to UK Plug (BS 1363)

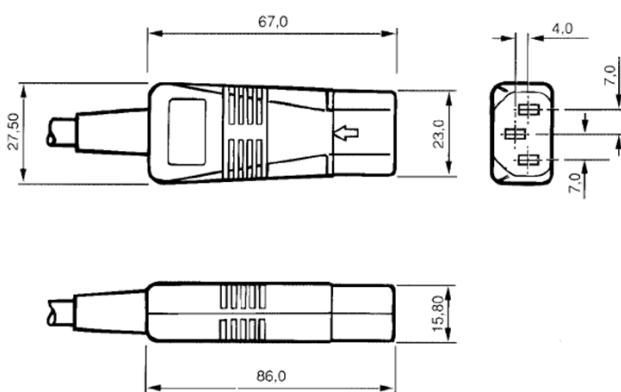
RS Stock number 815-846

#### Dimensions (mm)



#### Product Specification

- Specification – BS1363A
- Operating Voltage – 250V ac
- Current Rating – 13A
- Insulation Resistance - >10MΩ
- Cable Retention – 0.5mm<sup>2</sup> 1.00mm<sup>2</sup>>30N  
1.25mm<sup>2</sup> –1.5mm<sup>2</sup>>60N
- Outside Body – P.V.C
- Terminals – Brass (Solid)
- Fuse – To suit appliance rating



#### Product Specification

- Specifications – BS4491, IEC 320 Std. 13
- Operating Voltage – 250V ac
- Current Rating – 10A
- Insulation Resistance - >10MΩ
- Withdrawal Force – 10N min.-50N max.
- Cable Retention - >60N
- Maximum Pin Temp - 65°C
- Connector Shell – Nylon 6
- Terminals – Phosphor Bronze