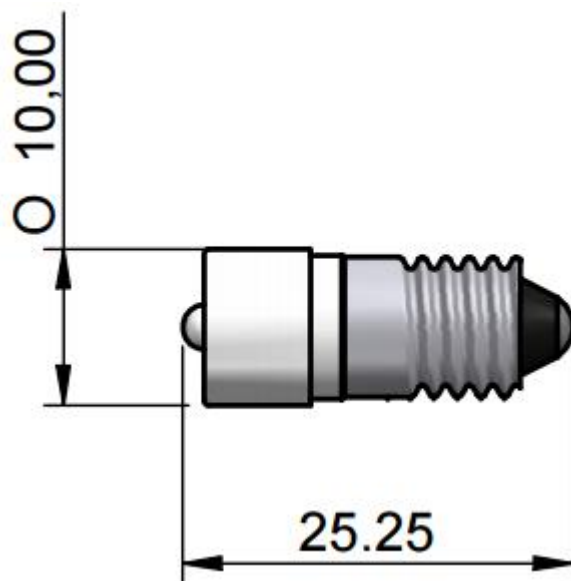


Datasheet

White E10 LED Indicator Lamp, Single Chip, 10 mm Lamp

RS Stock number [210-181](#)

Dimensions: (mm)



Specification

LED/Multiled	LED	Optimum voltage (V)	230Vac/dc	Intensity	410mcd
Mounting Size	10x25mm	Rectifier	Half Wave		
Mounting Finish		AC current	3mA (max)		
Protection	-	DC current	-		
Mount Holder	E10	Voltage Tolerance (%)	10%		
Chip Qty	1	Optimum temperature (°C)	-30°C...+60°C		
Indicator colour	White	Storage temperature (°C)	-30°C...+60°C		
Wavelength (nm)		Contact Tab	E10 Cap		



Dimension in mm (typical, not to scale).
We reserve the right to make changes without further notice to this product to improve reliability, function or design.