

COMPACT INTERNAL FITTING HORIZONTAL FLOAT SWITCH



This float switch is designed as a compact internal fitting device, with a wide range of options, making this ideal for size sensitive applications. Mounting of this series requires access to the inside of the tank.

Typical applications include vending machines, commercial washing machines and evaporator units.

They are manufactured in a variety of materials with a choice of gasket materials, to suit most commonly used liquids.

The switch action may be reversed by rotating the device through 180°.

Available with flying leads or M12 socket for electrical connection. Cable sets with M12 plugs are also available.

Features

- Compact design
- Flying Lead or M12 plug connection
- Available in Nylon, Polypropylene, PPS & PVDF
- 25VA

 **SPECIFICATIONS**

Technical

		1919503, 1919469
Material		Polypropylene
Colour		Opaque
Temp. Range	°C	-20/+100
	°F	-4/+212
Min. Fluid SG		0.85
Must Close Level (SG=1)		8mm
Must Open Level (SG=1)		20mm

* Maximum temperature requires ETFE cable to be specified.

Electrical

		25W (Y code)
Contact Form		N/O (N/C)
Switching Power Max	VA	25
Switching Voltage AC Max	V	240
Switching Voltage DC Max	V	120
Switching Current Max	A	0.6

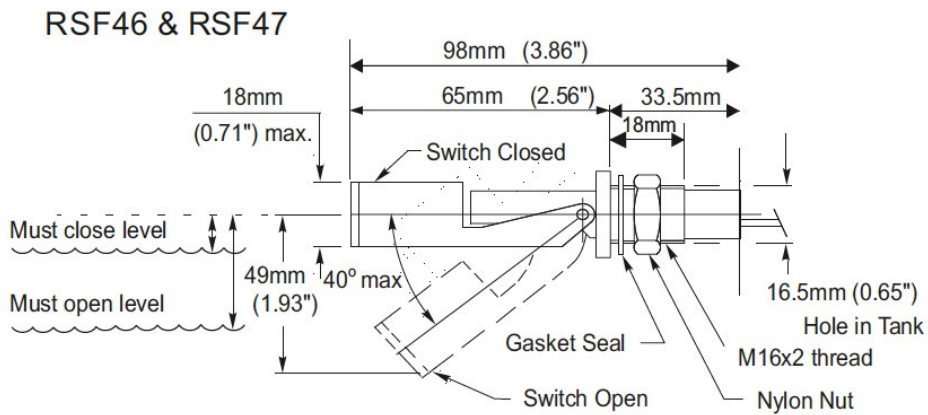
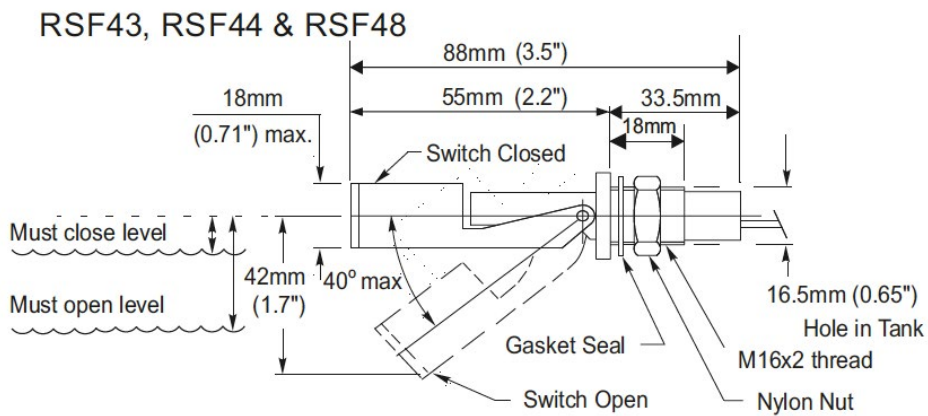
All ratings are for resistive load only.

STANDARD PARTS

RS Stock No.	Material	Max Power	Leadouts	Gasket
1919469	PPS	25VA	100cm PVC 16/0.2	Nitrile
1919503	PPS	25VA	M12 4-pin	Nitrile

DIMENSIONS

All dimensions are in millimeters.



Electrical Connections

