



EN

## Datasheet

# RS PRO OPEN BARREL FEMALE

## DISCONNECTORS (With locking lance)

Stock number: **2055271**

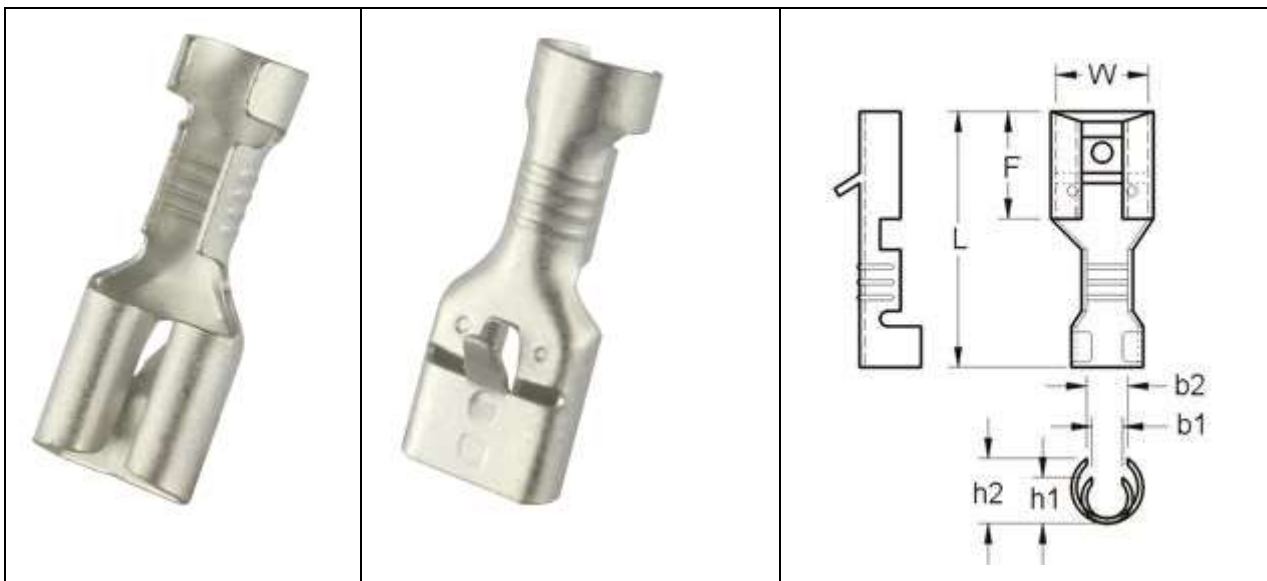
TERMINAL MATERIAL: BRASS

TERMINAL SURFACE TREATMENT: TIN PLATED

MATCHING: 0.032X0.250 INCH (0.8X6.35MM)

WIRE RANGE: 16-14 A.W.G. (1.5-2.5mm<sup>2</sup>)

THICKNESS: 0.4MM



WIRE RANGE A.W.G. mm <sup>2</sup>	NEMA TAB	DIMENSION (mm)							
		W	F	L	b1	b2	h1	h2	T
16-14 A.W.G. 1.5-2.5 mm <sup>2</sup>	.032×.250 (0.8×6.35)	6.8	7.5	19.2	2.2	3	3.6	5	0.4

