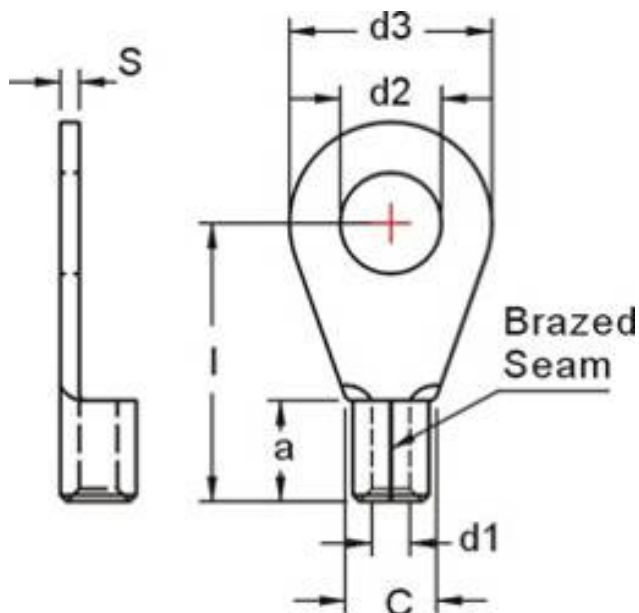


Product Datasheet

Non-Insulated Ring Terminals



Terminal Material:
Copper

Maximum Electric Current:

A.W.	26	2	2	2	1	1	1	1	1	8	6	4	2	1/0	2/0	3/0	4/0	25	30	35	40
G		4	2	0	8	6	4	2	0									0	0	0	0
AMP.	5.	7	9	1	1	1	3	3	5	7	9	12	17	23	26	31	36	40	44	50	54
	5			2	7	8	0	5	0	0	5	5	0	0	5	0	0	5	5	5	5



ENGLISH

WIRE RANGE A.W.G. mm ²	ITEM NO.	STUD SIZE		DIMENSION (mm)					
		d2		D3	l	A	C	d1	S
22-16 A.W.G. 0.5-1.5 mm ²	809-2221	#3	2.7	6.0	11.0	5.0	4.0	1.6	0.8
	809-2224	#6	3.7						
	809-2228	#8	4.3	8.0	12.0				
	809-2237	#10	5.3	10.0	13.0				
	809-2230	1/4	6.5						
16-14 A.W.G. 1.5-2.5 mm ²	809-2234	#6	3.7	6.0	11.0	5.0	4.5	2.3	0.8
	809-2243	#8	4.3	8.0	12.0				
	809-2246	#10	5.3	10.0	14.0				
	809-2240	1/4	6.5	11.0	16.0				
12-10 A.W.G. 2.5-6 mm ²	809-2259	#6	3.7	8.0	13.5	6.0	6.0	3.6	1.0
	809-2252	#8	4.3		14.0				
	809-2256	#10	5.3	10.0	15.0				
	809-2265	1/4	6.5	11.0	16.0				
	809-2268	5/16	8.4	14.0	19.0				
	809-2262	3/8	10.5	18.0	21.0				
8 A.W.G. 10 mm ²	809-2271	#10	5.3	10.0	16.0	8.0	8.0	4.5	1.1
	809-2274	1/4	6.5	11.0	17.0				
	809-2278	5/16	8.4	14.0	20.0				
	809-2287	3/8	10.5	18.0	21.0				
	809-2280	1/2	13.0	22.0	23.0				
6 A.W.G. 16 mm ²	809-2284	#10	5.3	11.0	20.0	10.0	10.5	5.8	1.2
	809-2293	1/4	6.5	11.0	20.0				
	809-2296	5/16	8.4	14.0	22.0				
	809-2290	3/8	10.5	18.0	24.0				
	809-2300	1/2	13.0	22.0	26.0				
4 A.W.G. 25 mm ²	809-2303	1/4	6.5	12.0	25.0	11.0	12.0	7.5	1.5
	809-2307	5/16	8.4	16.0	25.0				
	809-2316	3/8	10.5	18.0	26.0				
	809-2319	1/2	13.0	22.0	31.0				
	809-2313	5/8	17.0	28.0	35.0				
2 A.W.G. 35 mm ²	809-2322	5/16	8.4	16.0	26.0	12.0	15.0	9.0	1.6
	809-2325	3/8	10.5	18.0	27.0				
	809-2329	1/2	13.0	22.0	31.0				
	809-2338	5/8	17.0	28.0	36.0				
1/0 A.W.G. 50mm ²	809-2331	5/16	8.4	18.0	34.0	16.0	17.0	11.0	1.8
	809-2347	3/8	10.5	18.0	34.0				
	809-2335	1/2	13.0	22.0	36.0				
	809-2344	5/8	17.0	28.0	40.0				