

# Datasheet

## 8 Pole Male Straight DIN Connector

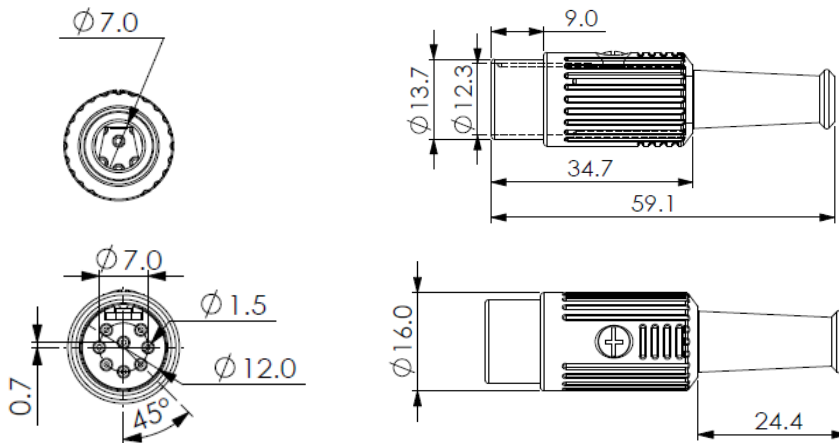
RS Stock number [491-061](#)



**MATERIAL :**

1. SHELL COVER : Zn ALLOY NICKEL PTD.
2. STRAIN BOOT : TPR
3. SET SCREW: STEEL NICKEL PTD.
4. "T" HOLDER: STEEL NICKEL PTD.
5. HOUSING : PA66
6. TERMINALS : BRASS SILVER PTD.

**Drawing (mm):**



**Specifications:**

- rating : 100V AC 4A MAX
- contact resistance : pins-30m $\Omega$  MAX; shell-50m $\Omega$  MAX
- insulation resistance : MIN 100 MEG $\Omega$  @500V DC
- voltage withstand : 250V AC R.M.S. for 1 minute