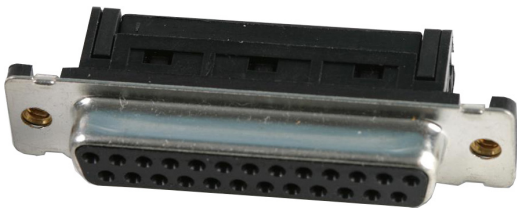


# D-Sub IDC Connectors Receptacle

**multicomp** PRO

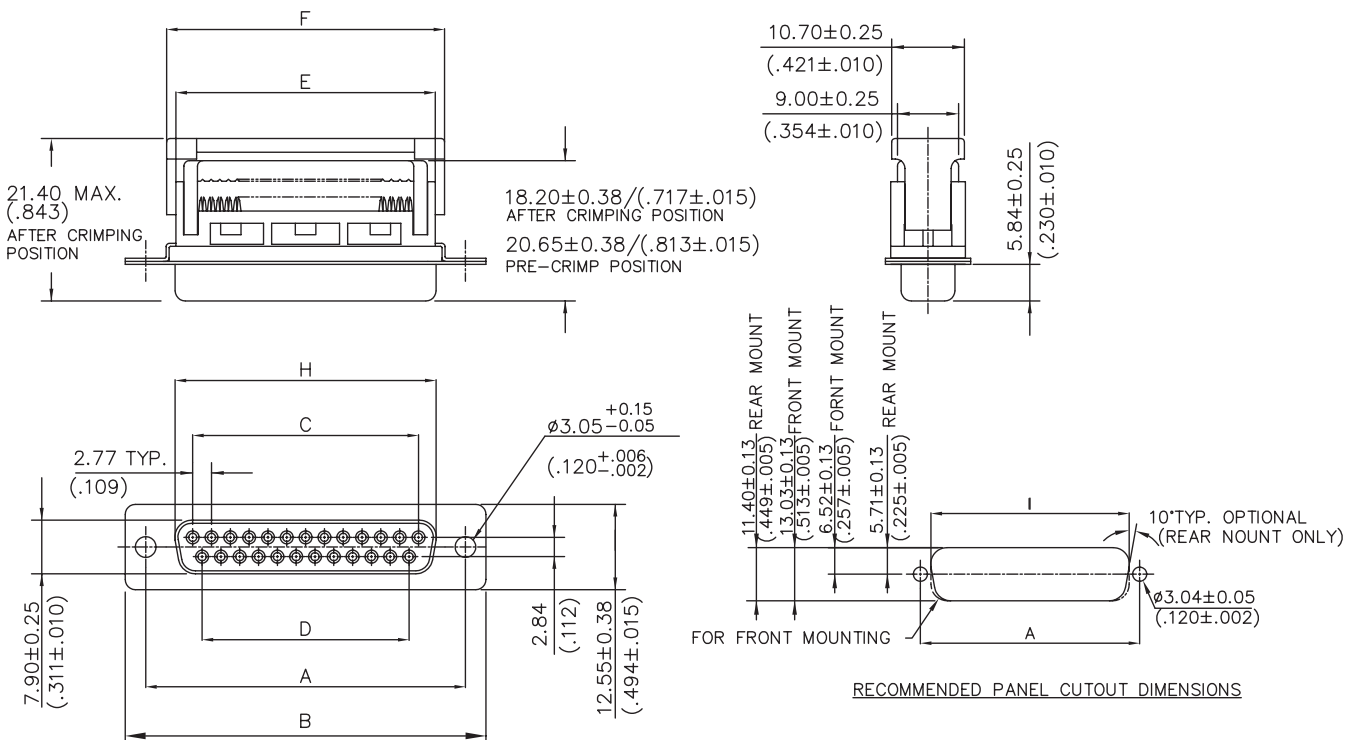
**RoHS  
Compliant**



## Specifications

Current Rating	: 1 Ampere
Min. Insulation Resistance	: 1,000MΩ (at 500V DC)
Min. Dielectric Withstanding Voltage	: 500V AC for one minute
Operating Temperature	: -55°C to 105°C
Max. Contact Resistance	: 15mΩ
Insulator Material	: PBT with glass-fibre reinforced
Colour	: Black, blue and grey (optional)
Contact Material	: Phosphor bronze
Contact Plating	: Gold over 30μ" nickel
Wire Size	: AWG 26 and 28 stranded, 1.27mm conductor centre flat cable

## Diagram



Newark.com/multicomp-pro  
Farnell.com/multicomp-pro  
sg.element14.com/b/multicomp-pro

**multicomp** PRO

# D-Sub IDC Connectors Receptacle

**multicomp** PRO

Part Number	#Pos.	A ±0.13 (±0.005)	B ±0.25 (±0.01)	C ±0.13 (±0.005)	D ±0.13 (±0.005)	E ±0.25 (±0.01)	F ±0.25 (±0.01)	H ±0.25 (±0.01)	I* Rear Mounting	I* Front Mounting
8FSM09S-30N4-FEC	9	24.99 (0.984)	30.8 (1.212)	11.08 (0.436)	8.31 (0.327)	16.1 (0.634)	18.6 (0.732)	16.33 (0.643)	20.47 (0.806)	22.2 (0.874)
8FSM15S-30N4-FEC	15	32.32 (1.312)	39.1 (1.539)	19.39 (0.763)	16.62 (0.654)	24 (0.945)	26.6 (1.047)	24.66 (0.971)	28.8 (1.134)	30.53 (1.202)
8FSM25S-30N4-FEC	25	47.04 (1.852)	53.09 (2.09)	33.24 (1.309)	30.47 (1.2)	38.14 (1.502)	40.9 (1.610)	38.38 (1.511)	42.52 (1.674)	44.27 (1.743)
8FSM37S-30N4-FEC	37	63.5 (2.5)	69.4 (2.732)	49.86 (1.963)	47.09 (1.854)	54.6 (2.15)	57.1 (2.248)	54.84 (2.159)	59.08 (2.326)	60.73 (2.391)

\*±0.13 (±0.005)

Dimensions : Millimetres (Inches)

## Part Number Table

Description	Part Number
D Sub Connector, Standard, Receptacle, 8F Series, 9 Contacts, DE, IDC / IDT	8FSM09S-30N4-FEC
D Sub Connector, Standard, Receptacle, 8F Series, 15 Contacts, DA, IDC / IDT	8FSM15S-30N4-FEC
D Sub Connector, Standard, Receptacle, 8F Series, 25 Contacts, DA, IDC / IDT	8FSM25S-30N4-FEC
D Sub Connector, Standard, Receptacle, 8F Series, 37 Contacts, DC, IDC / IDT	8FSM37S-30N4-FEC

**Important Notice :** This data sheet and its contents (the "Information") belong to the members of the AVNET group of companies (the "Group") or are licensed to it. No licence is granted for the use of it other than for information purposes in connection with the products to which it relates. No licence of any intellectual property rights is granted. The Information is subject to change without notice and replaces all data sheets previously supplied. The Information supplied is believed to be accurate but the Group assumes no responsibility for its accuracy or completeness, any error in or omission from it or for any use made of it. Users of this data sheet should check for themselves the Information and the suitability of the products for their purpose and not make any assumptions based on information included or omitted. Liability for loss or damage resulting from any reliance on the Information or use of it (including liability resulting from negligence or where the Group was aware of the possibility of such loss or damage arising) is excluded. This will not operate to limit or restrict the Group's liability for death or personal injury resulting from its negligence. Multicomp Pro is the registered trademark of Premier Farnell Limited 2019.

Newark.com/multicomp-pro  
Farnell.com/multicomp-pro  
sg.element14.com/b/multicomp-pro

**multicomp** PRO