



ENGLISH

RS PRO

MULTIMEDIA SPEAKER

Stock No: 2318271



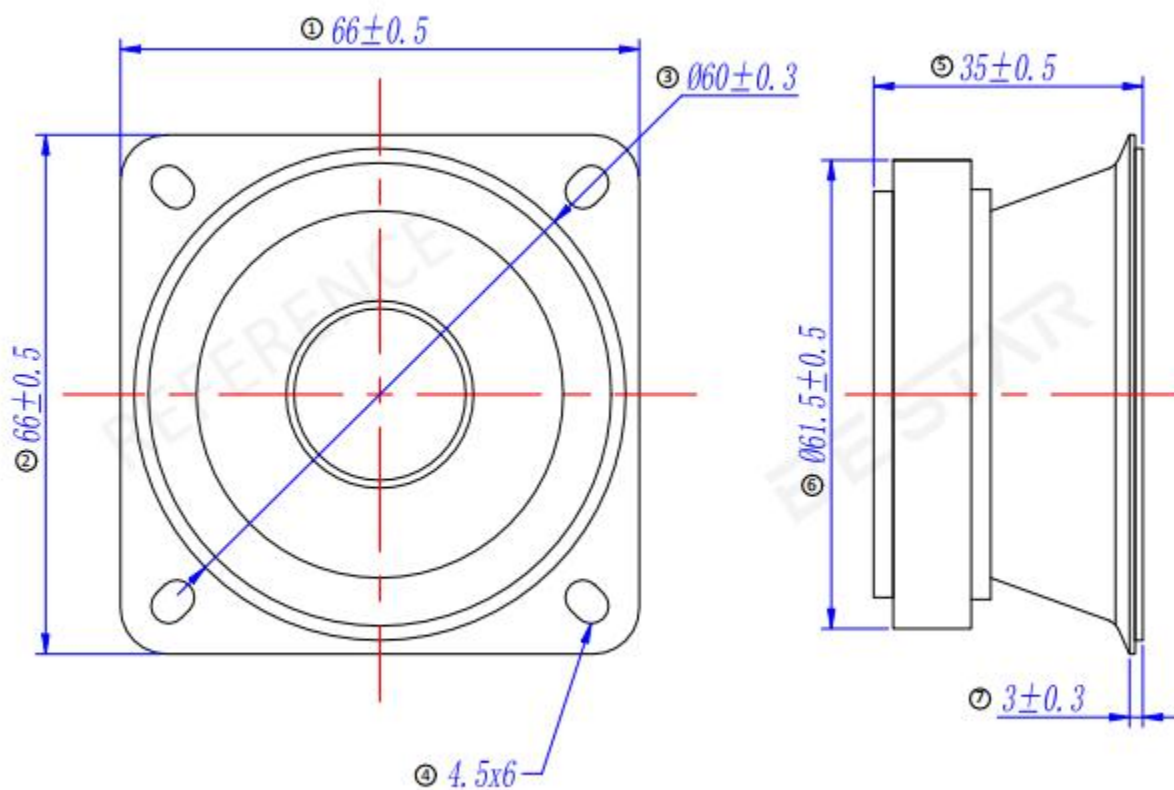
1. Technical Specifications:

Item	Specifications
Size	66*66*35mm
Impedance at 400Hz	4±15%Ω
Lowest Resonance frequency	215±20%Hz
Rated input power	8W(5.7V)
Maximum input power	15W (7.8V)
Buzz & Rattle(at sine wave 5.7V)	must be normal
SPL(1W 1m sine wave)	83±3dB (at 0.5K,0.6K,0.8K,1KHz Average)
THD(1W/1m,1000Hz)	MAX 5%
Operating temperature	-25...+70°C
Storage temperature	-25...+70°C

2. Features & Benefits:

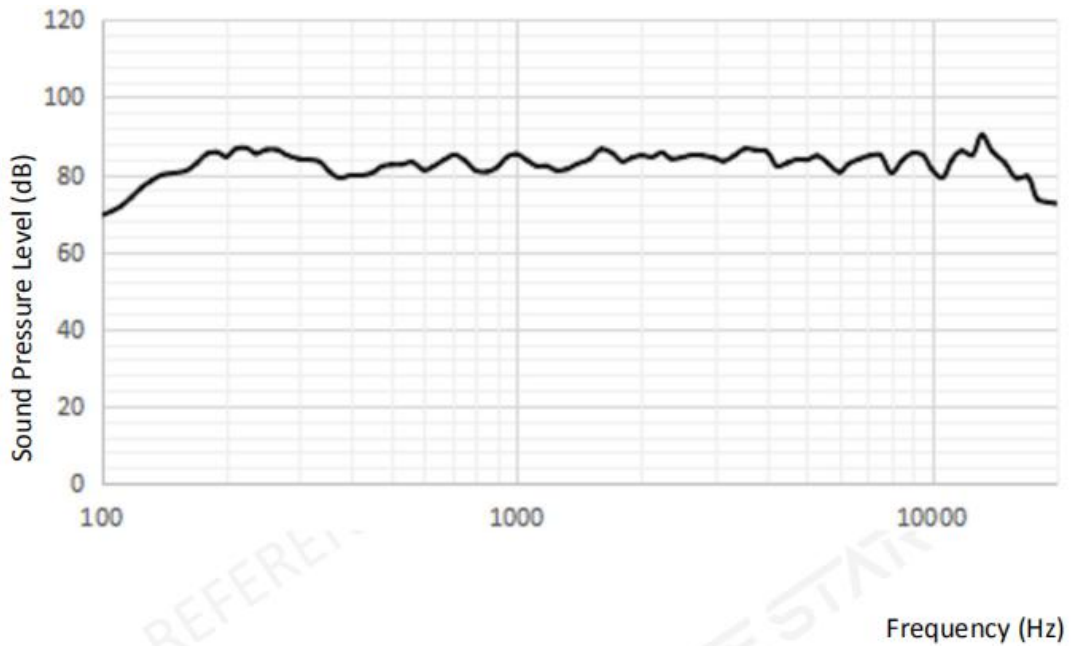
- Large power
- Loud sound output
- RoHS

3. Dimensional line drawings



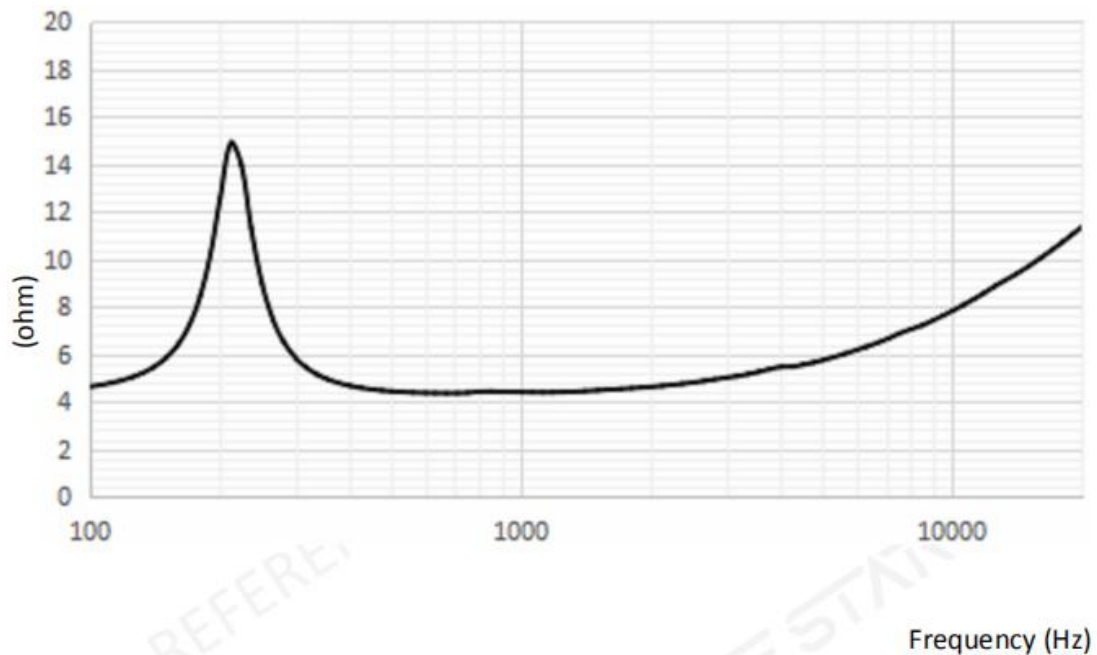
4.1 Frequency Response Curve (only for reference)

A: Frequency Response Magn 0 dB re 20.00 $\mu\text{Pa/V}$ 1/12Oct



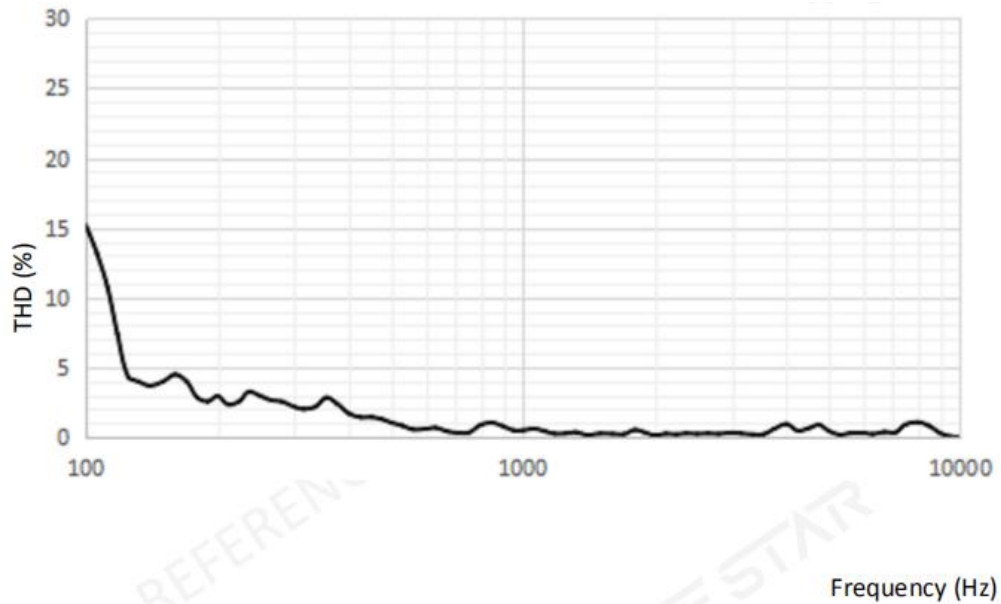
4.2 F0 Curve (only for reference)

A: Frequency Response Magn 0 dB re 20.00 $\mu\text{Pa/V}$ 1/12Oct



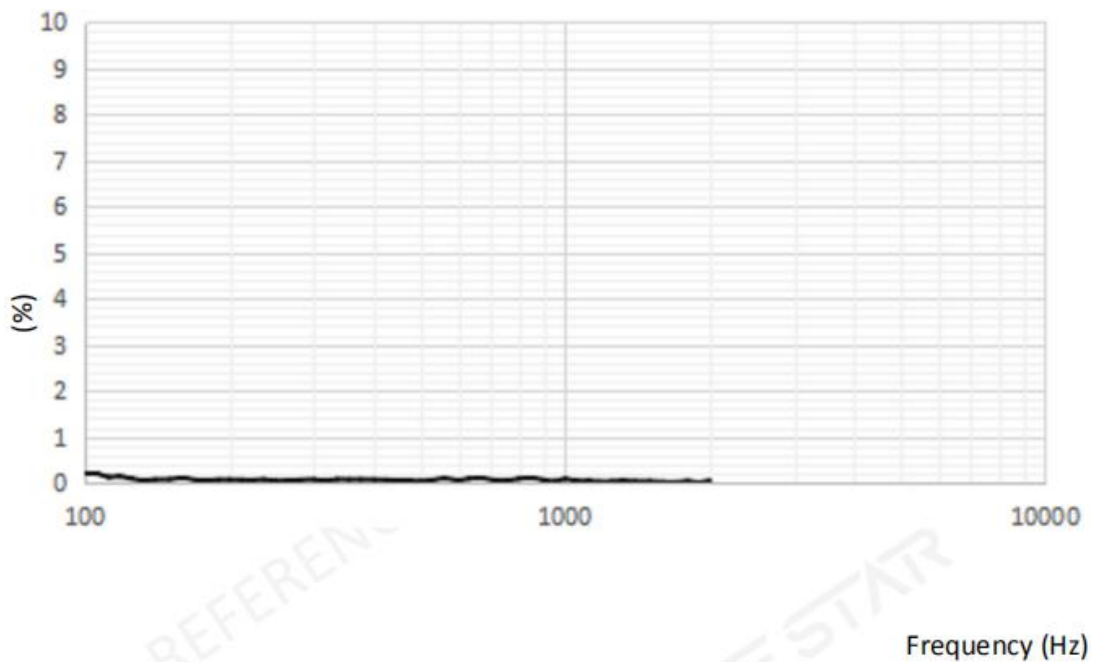
4.3 Total Harmonic Distortion (only for reference)

A: Frequency Response Magn 0 dB re 20.00 μ Pa/V 1/12Oct



4.4 R&B Curve (only for reference)

A: Frequency Response Magn 0 dB re 20.00 μ Pa/V 1/12Oct



5. Important Notice

1. The products mustn't be washed
2. Store Condition (packaging)

The products should be stored in the room ,where the temperature/humidity is stable. And avoid such places where there are large temperature changes. Please store the products at the following conditions: Temperature: -10 to + 40°C Humidity: 15 to 85%R.H.

3. Expire Date on Storage

Expire date (Shelf life) of the products is six months after delivered under the conditions of a sealed and an unopened package. Please use the products within six months after delivered.

If you store the products for a long time (more than six months), use carefully because the products may be degraded in the solderability and/or rusty.Please confirm solderability and characteristics for the products regularly.

4. Notice on Product Storage

- (1) Please do not store the products in a chemical atmosphere (Acids, Alkali, Bases, Organic gas, Sulfides and so on), because the characteristics may be reduced at quality, and/or be degraded in the solderability due to the storage in a chemical atmosphere.
- (2) Please use the products immediately after the package is opened, because the characteristics may be reduced at quality, and/or be degraded in the solderability due to storage under the poor condition.

5.5 Rated and Max input power Rated input power

Rated input power is the maximum (limit) value which can be input to the component intentionally. If the actual input power to component keeps exceeding Rated Input power, it will damage the component acoustic performances and reliability. In the worst case, the component will get broken and no sound.

Max input power

Max input power is the maximum (limit) value for unexpected input power which is caused in the customer's circuit like surge voltage. If the actual input power to component keeps exceeding Maximum input power, it will break the component and cause no sound in a short time. Please note that component will have a risk to get broken if the unexpected input power continues.

The value of input power is set based on the sinusoidal power in the normal speaker use. If the special signal is input to component, the values of Rated and Max input power will be different. Please make a well-investigation at your laboratory in the case of the special signal input.

