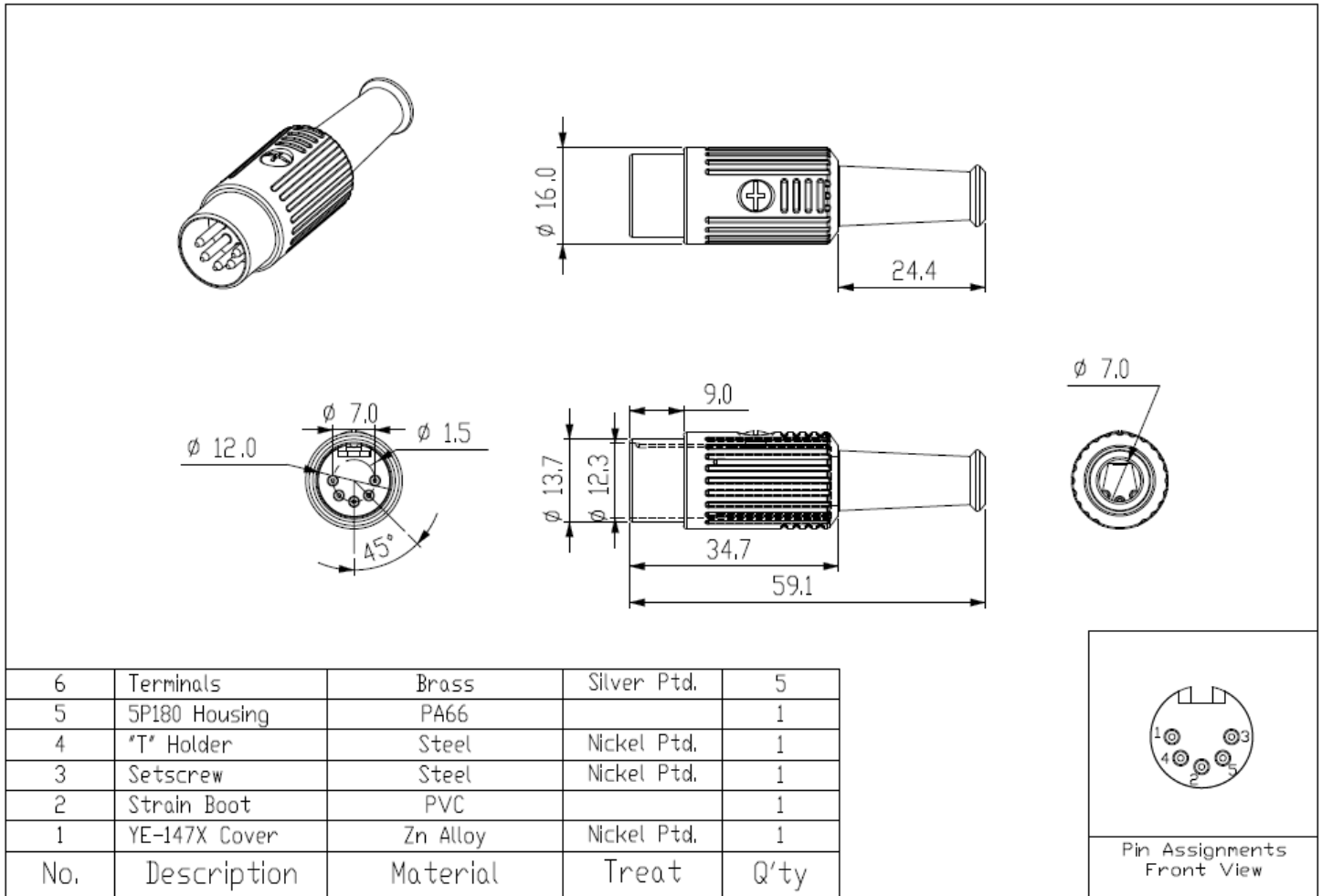


Datasheet

RS Pro 5 Pole Male Straight Din Connector

Stock No: 491-144



Specifications

rating :

100V AC 4A MAX

contact resistance :

pins-30m Ω MAX; shell-50m Ω MAX

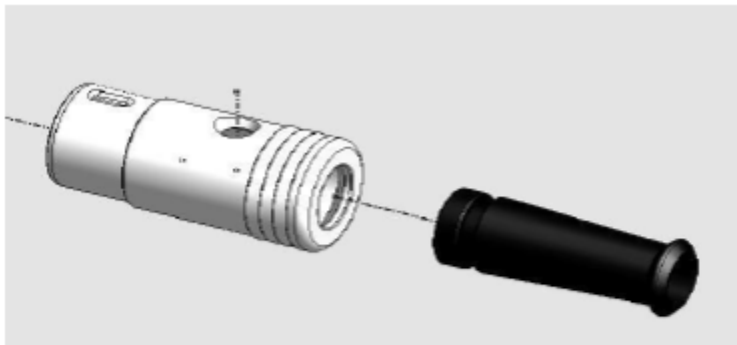
insulation resistance :

MIN 100 MEG Ω @500V DC

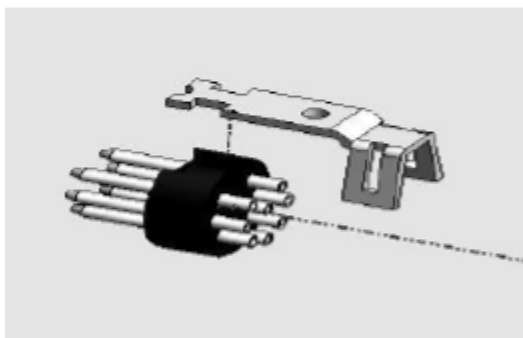
voltage withstand :

250V AC R.M.S. for 1 minute

1. PUT THE BOOT TO THE MATEL BODY.



2. PUT THE "T" HOLDER ON THE HOUSING.



3. PUT THE HOUSING IN THEN SCREW ON WITH MATEL BODY

