

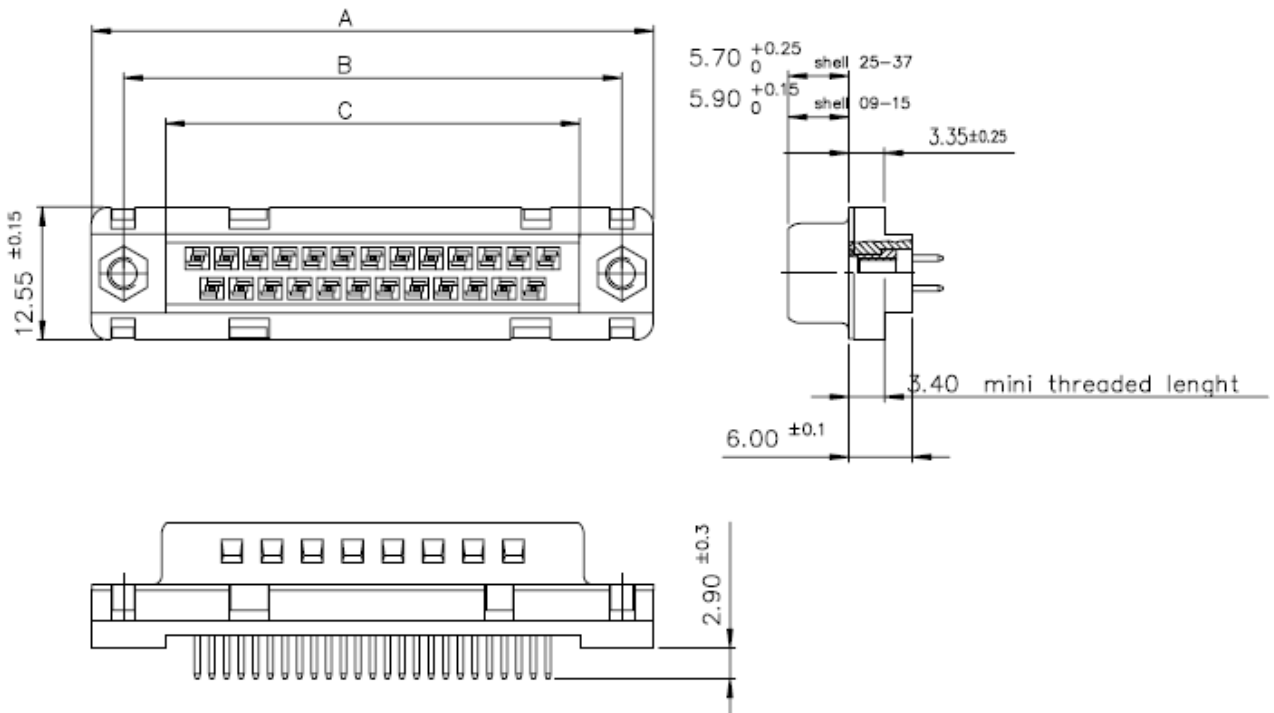
Professionally approved products.  
**Datasheet**

**9 Way Straight Through Hole Mount PCB D-Sub Connector**

RS Stock number 252-080



**Dimensions – mm:**

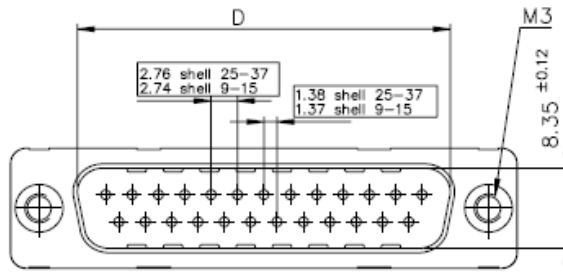
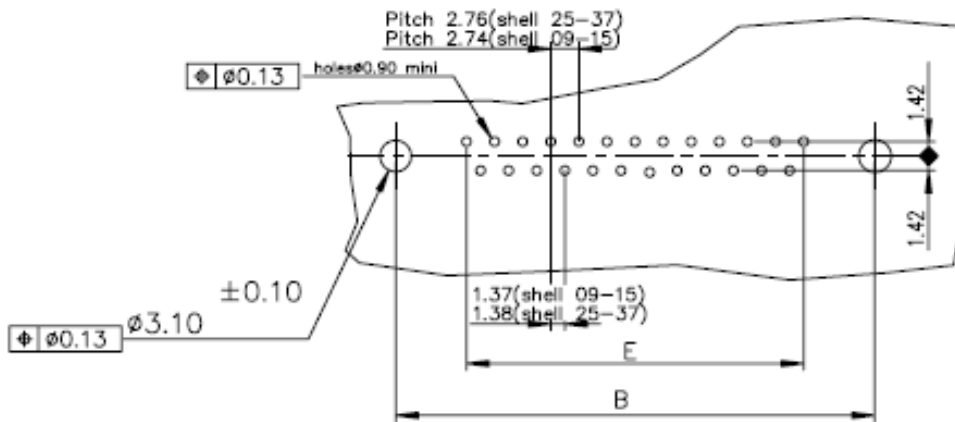


# Professionally approved products. Datasheet

## Dimensions – mm:

PC card drilling dimensions(after plating)

(thickness  $1.60 \pm 0.20\text{mm}$ )



### TIN LEAD PART NUMBER

SHELL	A $\pm 0.38$	B $\pm 0.12$	C $\pm 0.10$	D $\pm 0.25$	E $\pm 0.07$	PART NUMBER
09	30.81	24.99	16.96	16.79	10.96	D09P24A.PL00
15	39.14	33.32	25.18	25.12	19.18	D15P24A.PL00
25	53.03	47.04	39.12	38.84	33.12	D25P24A.PL00
37	69.32	63.50	55.68	55.30	49.68	D37P24A.PL00

Plating: 4 --> flash AU  
Plating: 6 --> 0.76 $\mu$  AU

### LEAD FREE PART NUMBER

SHELL	A $\pm 0.38$	B $\pm 0.12$	C $\pm 0.10$	D $\pm 0.25$	E $\pm 0.07$	PART NUMBER
09	30.81	24.99	16.96	16.79	10.96	D09P24A.PL00LF
15	39.14	33.32	25.18	25.12	19.18	D15P24A.PL00LF
25	53.03	47.04	39.12	38.84	33.12	D25P24A.PL00LF
37	69.32	63.50	55.68	55.30	49.68	D37P24A.PL00LF

Plating: 4 --> flash AU  
Plating: 6 --> 0.76 $\mu$  AU