

## Datasheet

# RS PRO VINYL-INSULATED PARALLEL CONNECTORS

Stock number: 613-9772

**MAXIMUM ELECTRIC CURRENT:**

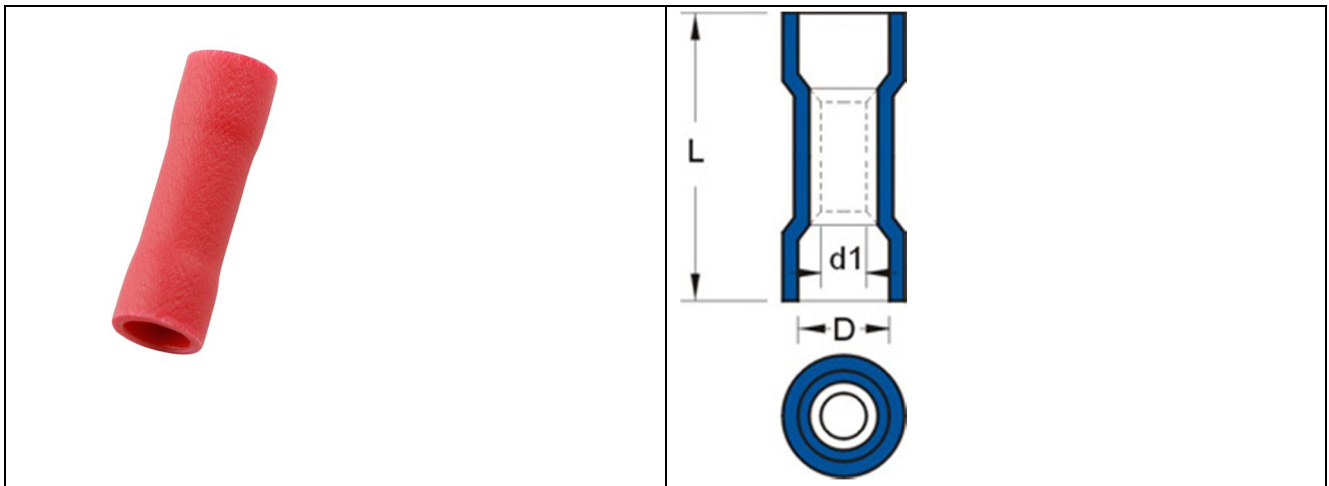
A.W.G.	22	20	18	16
AMP.	9	12	17	18

**MAXIMUM ELECTRICAL RATING:** 75° C 600 VOLTS MAX.

**INSULATION MATERIAL:** VINYL (PVC)

**TERMINAL MATERIAL:** COPPER

**INSULATION COLOR:** RED



WIRE RANGE A.W.G. mm <sup>2</sup>	ITEM NO.	DIMENSION inch(mm)			MATERIAL
		L	D	d1	
22-16 A.W.G. 0.5-1.5 mm <sup>2</sup>	<b>613-9772</b>	0.65 16.5	0.157 4.000	0.067 1.7	COPPER TUBULAR