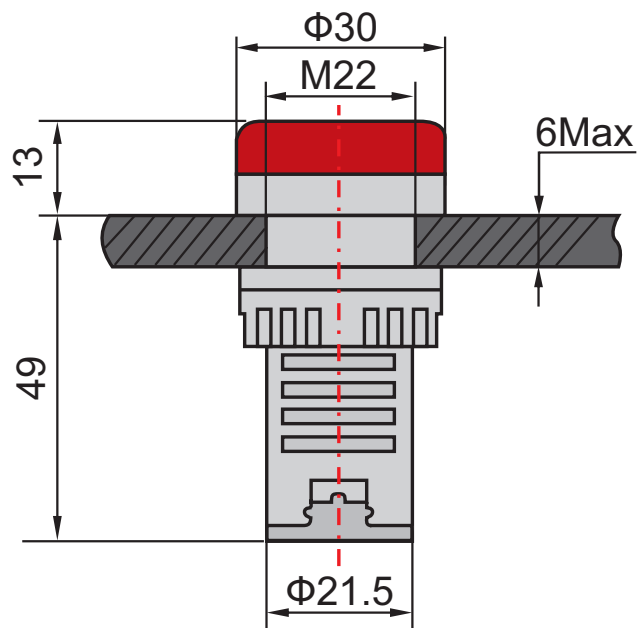


Datasheet

LED Indicator with Sounder 22mm Red 230Vac

RS Stock Number: 909-2569



Technical Specification

Colour	Red
Nominal Voltage (V_n)	230V ac
Operating Voltage Range	$V_n \pm 15\%$
Frequency (ac)	50 - 60Hz
Insulation Resistance	$\geq 2\text{M}\Omega$
Insulation Withstand	2.5kVac, 1 minute
Current Draw	$\leq 20\text{mA}$
IP Rating (from front, panel mounted)	Not applicable
Brightness	$\geq 60 \text{ cd/m}^3$
Operational Life	30,000 hours
Relative Humidity	$\leq 98\%$
Operating Temperature Range	-25°C to +55°C