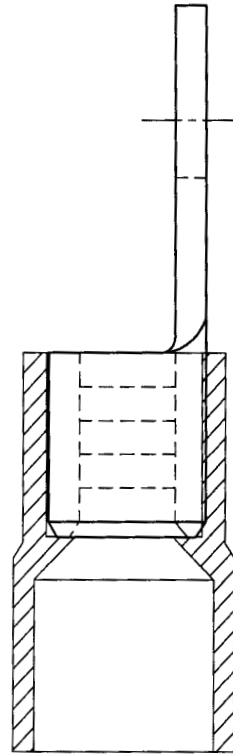
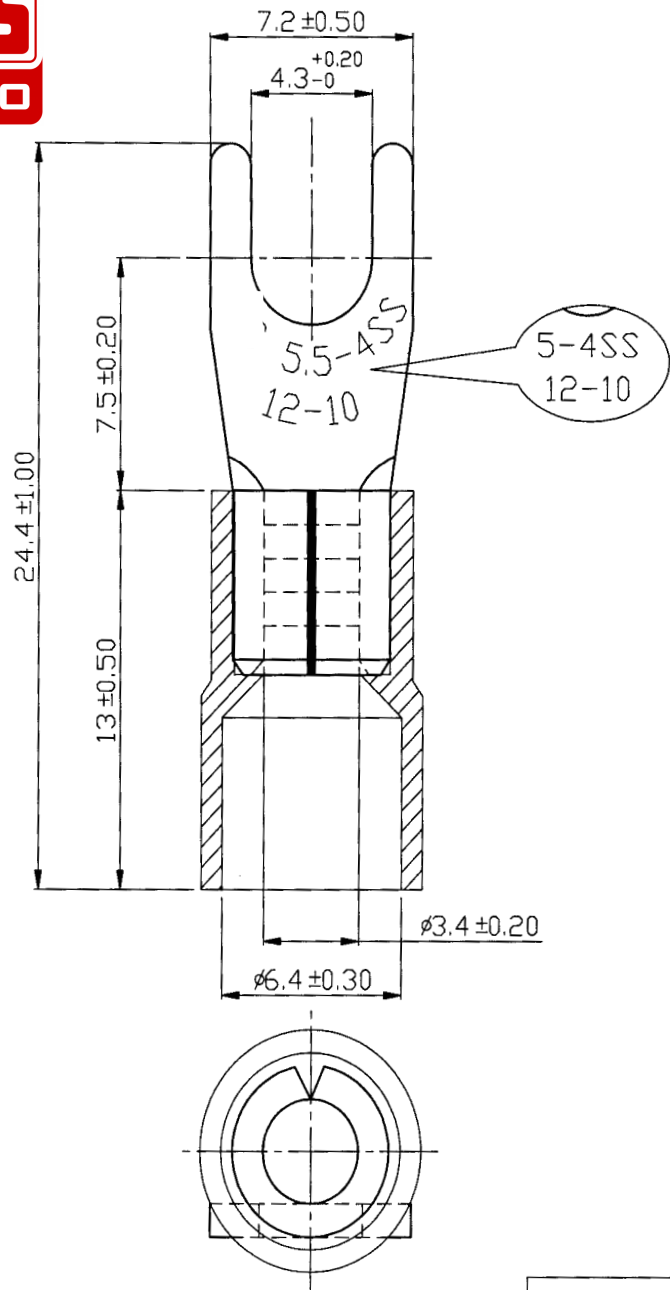




REV	DESCRIPTION	DATE
-----	-------------	------



NOTE:

- MAXIMUM ELECTRIC CURRENT:

A.W.G.	12	10
A.M.P.	35	50
- MAXIMUM ELECTRICAL RATING: 75°C 600V DLTS MAX.
- INSULATION MATERIAL: VINYL
- INSULATION COLOR: YELLOW
- TERMINAL MATERIAL: COPPER
- WIRE RANGE: 12-10 A.W.G. (4-6mm²)

Tolerance Unless Otherwise Specified	
0 >	mm ±
>	mm ±
>	mm ±
>	mm ±
	ANGLE
	0°
	° REF ±
	° ±
	° ±

NAME	VINYL-INSULATED (MOLDED) SPADE TERMINALS			UNIT	
PART NO.	See Chart	MATERIAL	-----	APPROVE	
NUMBER	KA-94328-C	SCALE	SHEET	PAGE	CHECKED
DATE	2005/09/07	4/1	1-0	1DF1	DRAWN 張馨尹

ITEM NO.		
BRAZED SEAM	SVYBSS5-4	SVYBSS5-4@
BUTTED SEAM	SVYSS5-4	SVYSS5-4@