

Datasheet

RS PRO NYLON-FULLY INSULATED FEMALE DISCONNECTORS (A TYPE)

Stock number: 2055279

MAXIMUM ELECTRIC CURRENT:

A.W.G.	16	14
AMP.	10	15

MAXIMUM ELECTRICAL RATING: 105° C 600 VOLTS MAX.

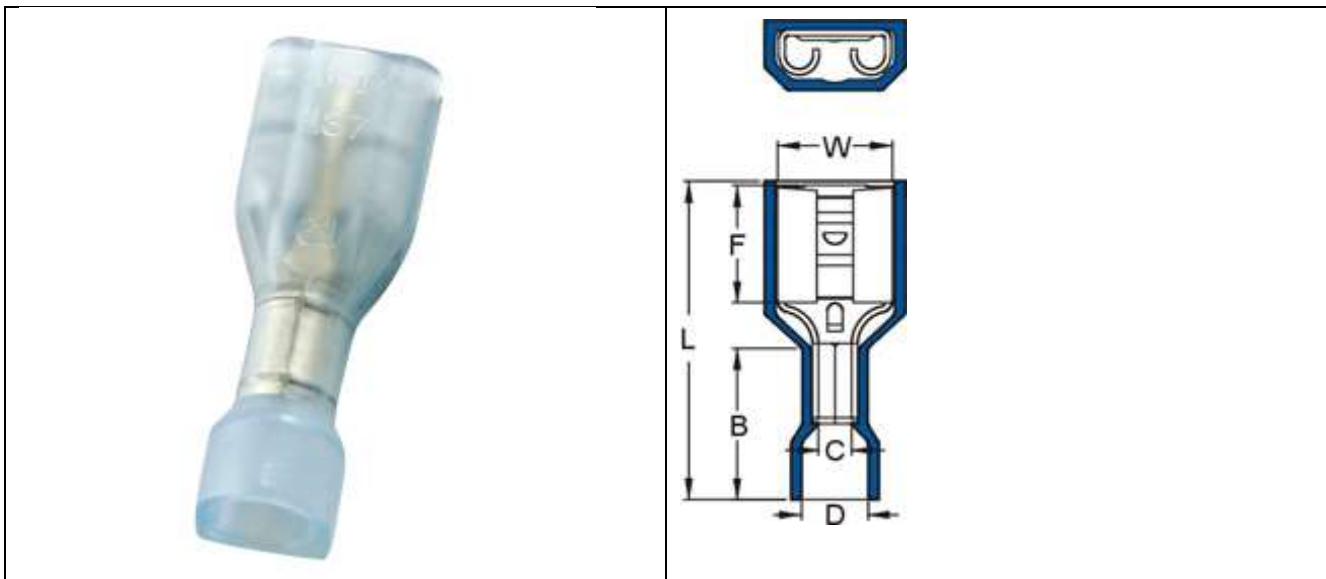
INSULATION MATERIAL: NYLON

TERMINAL MATERIAL: BRASS

TERMINAL SURFACE TREATMENT: TIN PLATED

INSULATION COLOR: BLUE

TERMINAL BARREL I.D.: C=2.3MM



WIRE RANGE A.W.G. mm ²	NEMA TAB	DIMENSION inch(mm)					
		W	F	L	B	D	T
16-14 A.W.G. 1.5-2.5 mm ²	.020X.187 (0.5X4.75)	0.197 5	0.252 6.4	0.827 21	0.394 10	0.173 4.400	0.014 0.35