



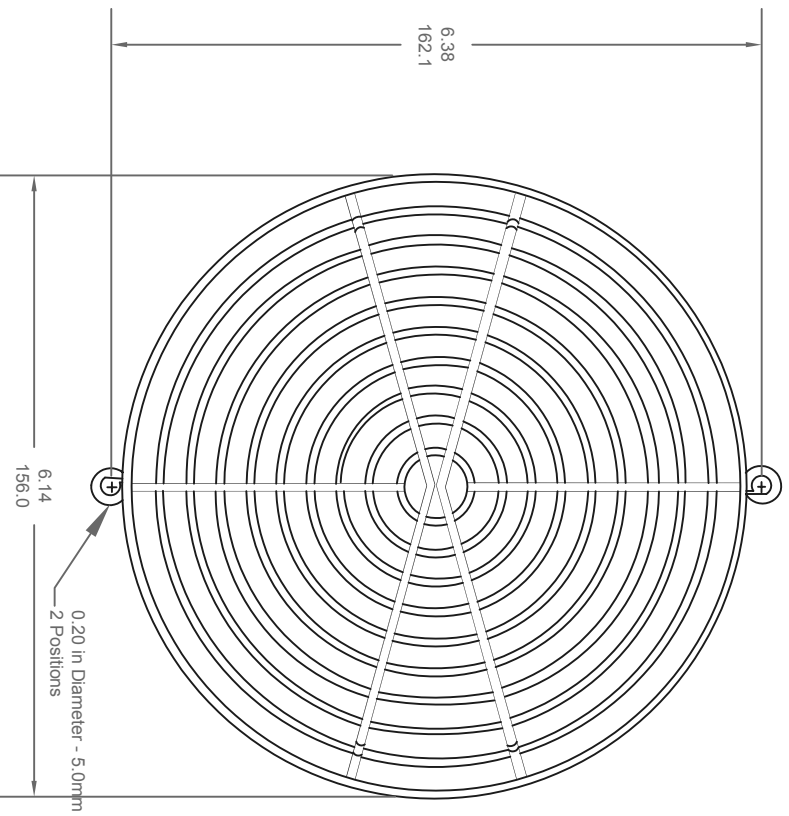
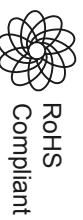
ALL RIGHTS RESERVED. NO PORTION OF THIS PUBLICATION, WHETHER IN WHOLE OR IN PART CAN BE REPRODUCED WITHOUT THE EXPRESS WRITTEN CONSENT OF SPC TECHNOLOGY.

SPC-F005.DWG

REVISIONS

DCP #	REV	DESCRIPTION	DRAWN	DATE	CHECKD	DATE	APPRVD	DATE
			VEE	21-10-10	JAG	21-10-10	XXX	04-11-10

DOC. NO. SPC-F005 \* Effective: 7/8/02 \* DCP No: 1398



Notes:

Material : C1008 steel  
 Plating : Bright nickel chrome  
 Ring diameter : 1.8mm  
 Rib diameter : 2.3mm

Part Number Table

Description	Part Number
Wire Form Fan Guard	MC32681

Dimensions : inches (mm)

TOLERANCES:

UNLESS OTHERWISE SPECIFIED, DIMENSIONS ARE FOR REFERENCE PURPOSES ONLY.

DRAWN BY: VEE DATE: 21-10-10

CHECKED BY: JAG DATE: 21-10-10

APPROVED BY: XXX DATE: 04-11-10

DRAWING TITLE:

Wire Form Fan Guard

SIZE: A DWG. NO. MC32681

SCALE: NTS

U.O.M.: Millimeters

ELECTRONIC FILE

56P2957

SHEET: 1 OF 1

DISCLAIMER: ALL STATEMENTS AND TECHNICAL INFORMATION CONTAINED HEREIN ARE BASED UPON INFORMATION AND/OR TESTS WE BELIEVE TO BE ACCURATE AND RELIABLE. SINCE CONDITIONS OF USE ARE BEYOND OUR CONTROL, THE USER SHALL DETERMINE THE SUITABILITY OF THE PRODUCT FOR THE INTENDED USE AND ASSUME ALL RISK AND LIABILITY WHATSOEVER IN CONNECTION THEREWITH.