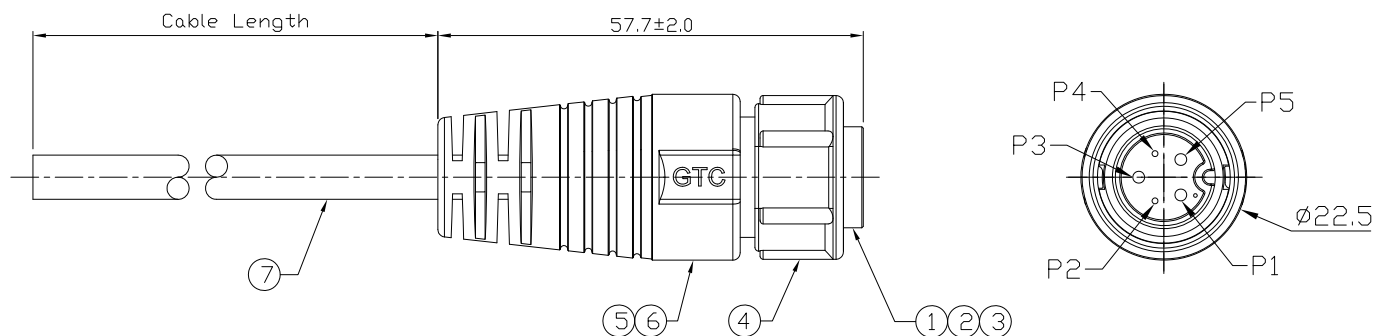


Notes: (Unless Otherwise Specified)
 1. Waterproof Rate: IP67.
 2. RoHS Compliant.

REV	ECN#	DESCRIPTION OF REVISION	DRAW BY DATE	CHECK BY DATE	APPROVE BY DATE
A0		Mass Production	Joyce 11/20/13	Lucas 11/20/13	Ray 11/20/13
A1	ECN-160302	Modify Wiring Diagram Δ 1	Joyce 03/03/16	Lucas 03/03/16	Ray 03/03/16



1	Black
2	Orange
3	Brown
4	Yellow
5	Red

Wiring Diagram Δ 1

Item	Part Name	Material / Finish	Q'ty
7	Cable	UL20549 16AWG*3C+26AWG*2C+Al/My+D OD=6.9mm, PU, Color: Black	1
6	Over Mold	TPE Color: Black	1
5	Inner Mold	Thermoplastic Color: White Or Black	1
4	Lock Nut	Thermoplastic Color: Black	1
3	O-Ring	Silicone Color: Red	1
2	Contacts	Copper Alloy Finish: Au Plated	5
1	Housing	Thermoplastic Color: Black	1

Cable Length	2000 mm	±100
--------------	---------	------

Part No.
179-7941



TITLE						Mating Part No.			REV.
Hybrid C3 10A+2A 3P+2P Cable End Male Lock With PU Cable						179-7940			A1
	B	1:1	Joyce 11/20/13	Lucas 11/20/13	Ray 11/20/13	X.X ± 0.5 X.XX ± 0.2	X.XXX ± 0.05 ANGLES ± 1°	mm	1/1
THIRD ANGLE PROJECTION	SIZE	SCALE	DRAW / DATE	CHECK / DATE	APPROVE / DATE	TOLERANCES		UNIT	SHEET