



APPLICATION GUIDE
HDMI and USB Socket
VGA and Mini Audio Socket

CAT. NO.
E8232HDUSB
E8232HD15PH

Pieno

Thank you for choosing **Schneider Electric Pieno's** electronic accessories. To ensure proper application of our products, please read through the following information before installation and use.

This application guide applies to the following products.



Cat.no.
E8232HDUSB

Description
HDMI and USB Socket



E8232HD15PH

VGA and Mini Audio Socket

SPECIFICATIONS

Dimension : 87mm x 87mm

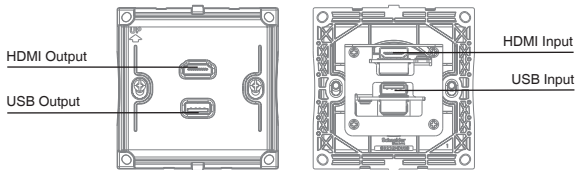
Mounting Centre : 60.3mm

IMPORTANT NOTE

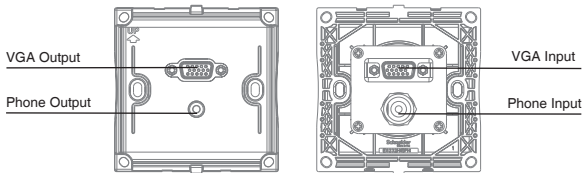
1. The products must be installed by qualified electricians.
2. Please check your local wiring regulations before installation.
3. Safekeeping the faceplate to prevent damage during product installation.
4. Turn off the power supply when you clean the product. Use a soft, slightly-moistened cloth or tissue paper to wipe off the dust and dirt on the surface. Clean with much diluted detergent if necessary but avoid using corrosive chemicals.

WIRING DIAGRAMS

E8232HDUSB

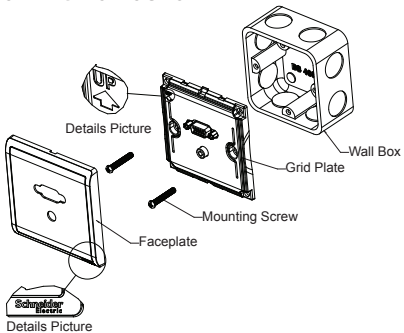


E8232HD15PH



MOUNTING INSTRUCTION

1. Connect the wires to the terminals (recommend to leave 10-12mm bare metal wire) and tighten the terminal screws.
2. Screw the grid plate onto the wall box. (recommend to install the wall box to a depth of minimum 75mm into the wall)
3. Snap the faceplate onto the grid plate.



Insert a screwdriver into the clip lock, and twist the screwdriver to remove the faceplate.

