

**Datasheet**

**Chrome Steel Screw Clamping V Block, 35.3;  
21.2mm Capacity**

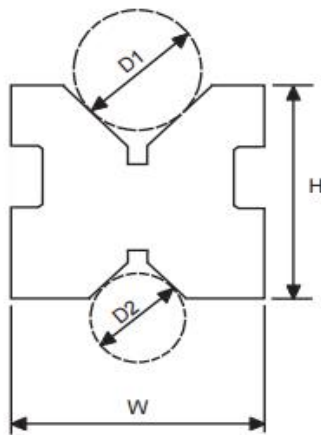
RS Stock number 460-1073

Vee Block Style: Type 1

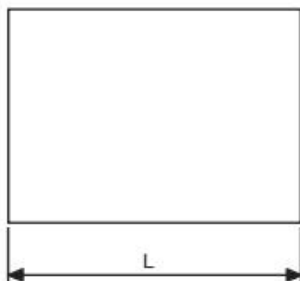


- Manufactured from Chrome steel (40Cr)
- Hardness 60 HRC
- Supplied in matched pairs with clamps
- Accuracy 0.005mm

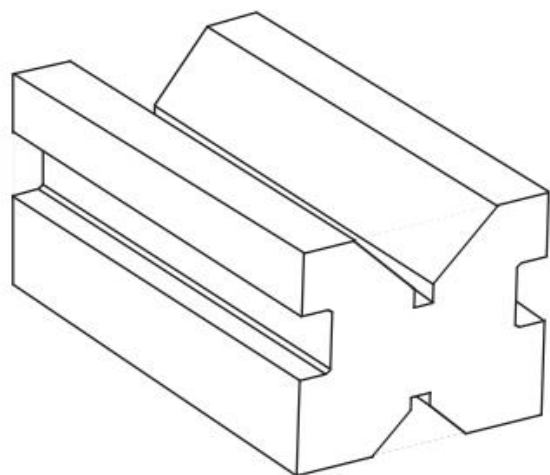
Linear Code	W	H	L	D1 Max Capacity	D2 Max Capacity	Matched Pair Accuracy	Paralism Of Vee To Base	Squarness Accuracy
52-475-905	39.5	35.5	45.3	35.3mm	21.2mm	0.005mm	0.005mm	0.005mm



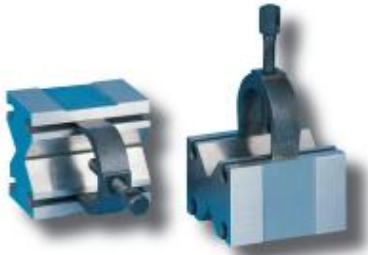
**End View**



**Side View**

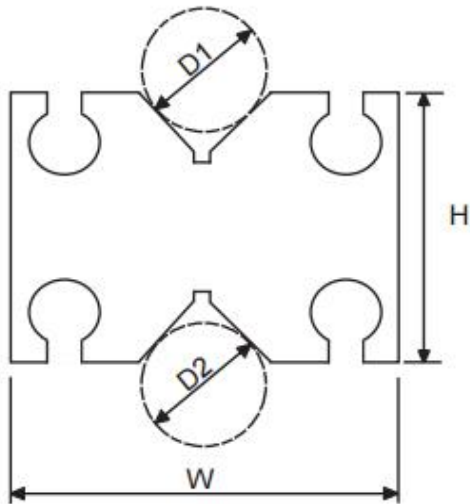


**Vee Block Style: Type 2**

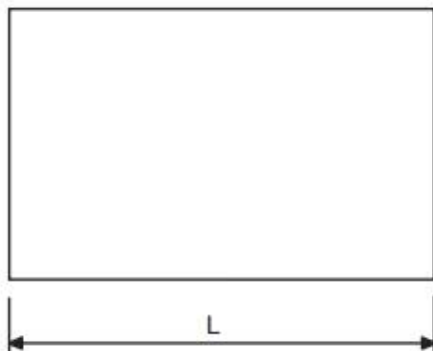


- Manufactured from Chrome steel (40Cr)
- Hardness 60 HRC
- Supplied in matched pairs with clamps
- Accuracy 0.005mm

Linear Code	W mm	H mm	L mm	D1 Max Capacity	D2 Max Capacity	Matched Pair Accuracy	Paralism Of Vee To Base	Squarness Accuracy
52-475-915	64	45	70	39.6mm	31.1mm	0.005mm	0.005mm	0.005mm
52-475-920	89	70	124	63.6mm	63.6mm	0.005mm	0.005mm	0.005mm



**End View**



**Side View**

