

JIS 10K SS316 Flange End Y-Strainers

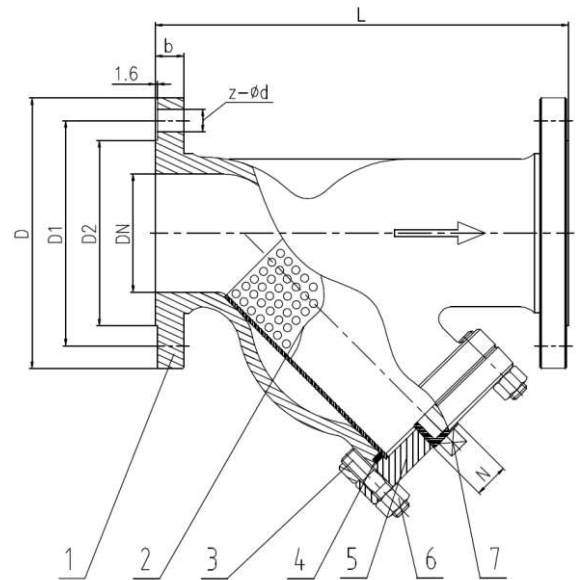
Features

- Size: 1 1/2" – 4" (DN40 – DN100)
- JIS 10K Flange Connection
- Working Pressure: 10kg/cm²
- Temperature range: -20°C to 230°C
- Screen: 1.0mm (Mesh Size 40)
- Applicable Medium: General oil, gas & water applications
- Used to collect containment and particles



Material List

No.	Part Name	Material
1	Body	SS316, CF8M
2	Strainer Screen	SS316 1mm Mesh
3	Bolt	SS304
4	Gasket	PTFE
5	Bonnet	SS316, CF8M
6	Nut	SS304
7	Bolt	SS304



Technical Specifications

1. Basic design and manufacture according to ANSI B16.34.
2. Flange connection per JIS B 2220
3. Inspection and tested according to API 598.

Main Technical Parameter			
Normal pressure		10	K
Test pressure	Strength test	3.0	MPa
	Tightness test	-	
	Gas-Tightness test	-	
Max working temperature		-20 to 230	°C
Applicable Medium: General oil, gas & water			