

# 72x72 & 96x96mm Analogue Moving Iron Meters for AC 72x72 & 96x96mm Analogue Moving Coil Meters for DC

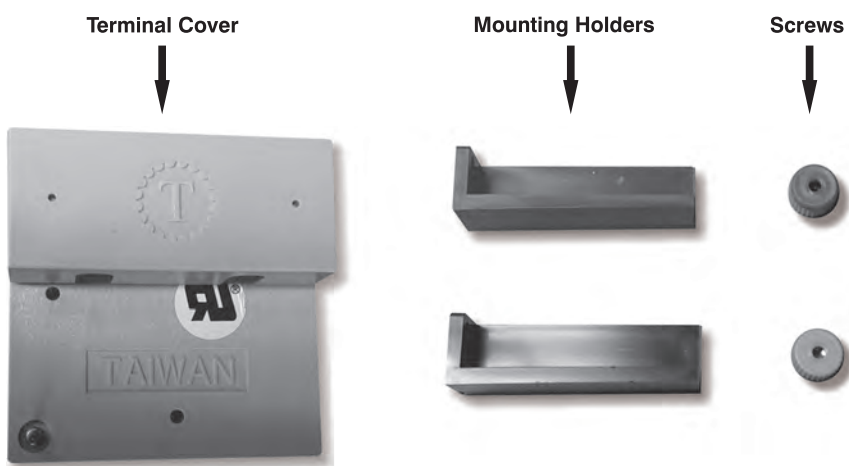


- ① Accessories
- ② External and Cut-out Dimension
- ③ Connection Diagrams
- ④ Installation

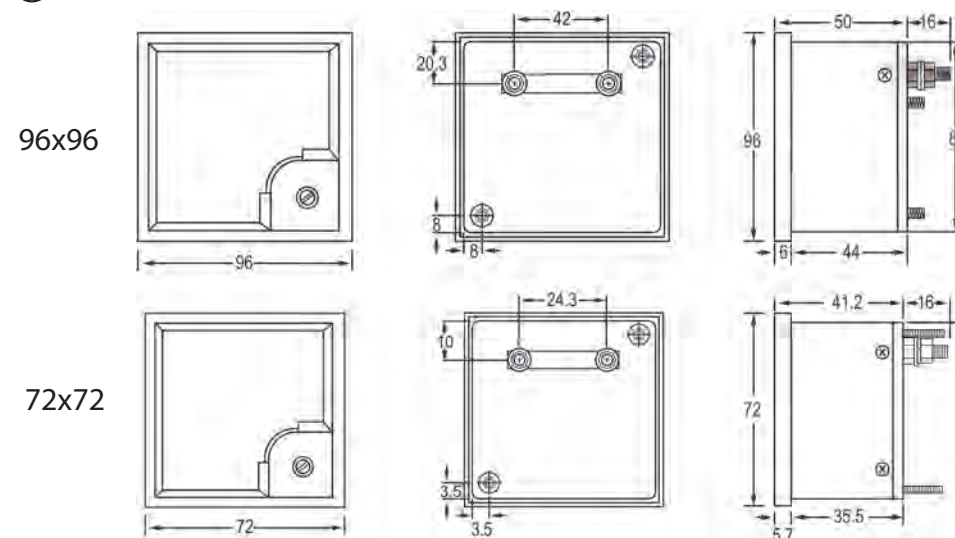
## Specifications:

|                  |  |
|------------------|--|
| Standards:       | IEC51, BS89, DIN 43780, VDE 0410   |
| Enclosure:       | ABS & Polycarbonate<br>Base Material UL 94VL<br>Case & Terminal protection material UL 94VO<br>Scale division markings DIN 43802 |
| Accuracy:        | Class 1.5 (+/- 1.5% Maximum error)   |
| Overload:        | Current 1.2 x In or Un for 2 Hours<br>10 x In or Un for 5 seconds  |
| Voltage:         | Current 1.2 x In or Un for 2 Hours<br>10 x In or Un for 5 seconds  |
| Insulation Test: | 2KV 50/60Hz for 1 minute   |
| Temperature:     | Working temperature -25 - +50 degrees Centigrade   |

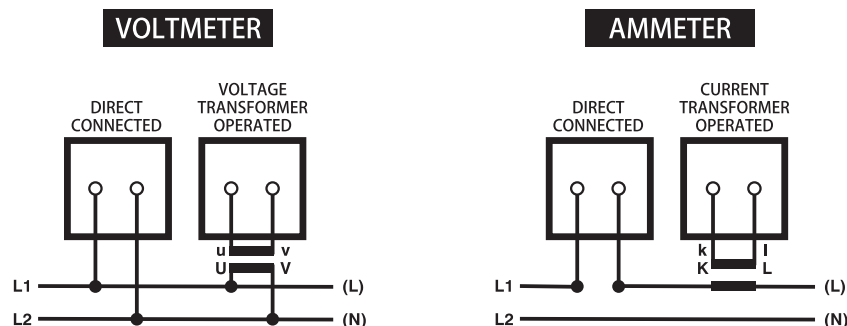
## ① Accessories: Terminal Cover, Mounting Holders, Screws



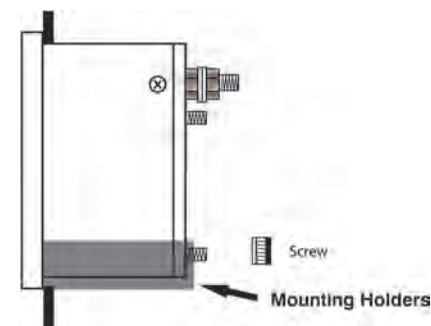
## ② External and Cut-out Dimensions



## ③ Connection Diagrams



## ④ The meter is fixed in the panel by two screw holders situated on arbitrary opposite corners of the case.



# 72x72 & 96x96mm Analogue Moving Iron Meters for AC 72x72 & 96x96mm Analogue Moving Coil Meters for DC

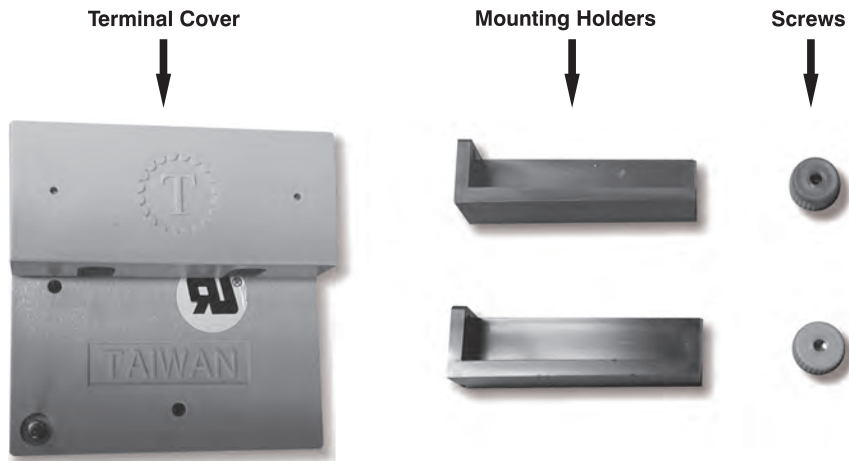


- ① Accessories
- ② External and Cut-out Dimension
- ③ Connection Diagrams
- ④ Installation

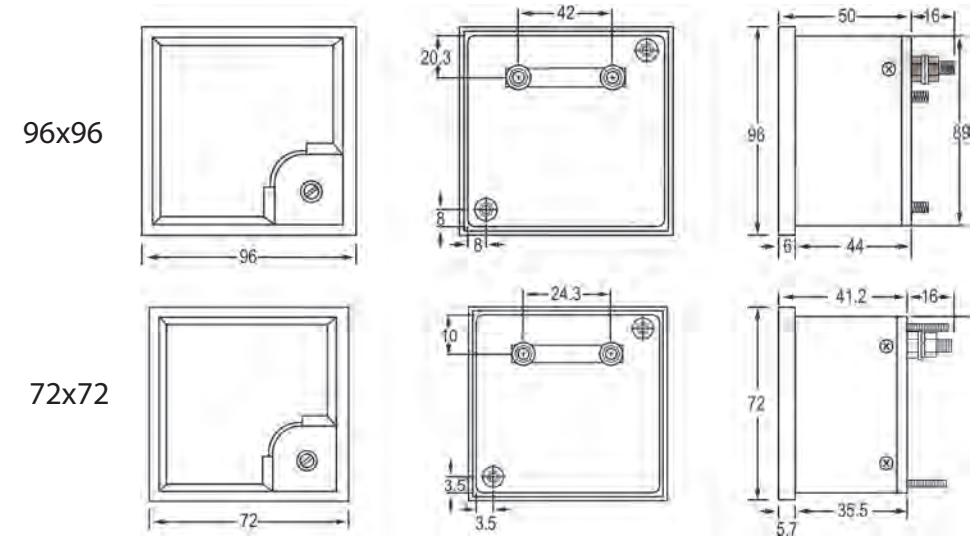
## Specifications:

|                  |  |
|------------------|--|
| Standards:       | IEC51, BS89, DIN 43780, VDE 0410   |
| Enclosure:       | ABS & Polycarbonate<br>Base Material UL 94VL<br>Case & Terminal protection material UL 94VO<br>Scale division markings DIN 43802 |
| Accuracy:        | Class 1.5 (+/- 1.5% Maximum error)   |
| Overload:        | Current 1.2 x In or Un for 2 Hours<br>10 x In or Un for 5 seconds  |
| Voltage:         | Current 1.2 x In or Un for 2 Hours<br>10 x In or Un for 5 seconds  |
| Insulation Test: | 2KV 50/60Hz for 1 minute   |
| Temperature:     | Working temperature -25 - +50 degrees Centigrade   |

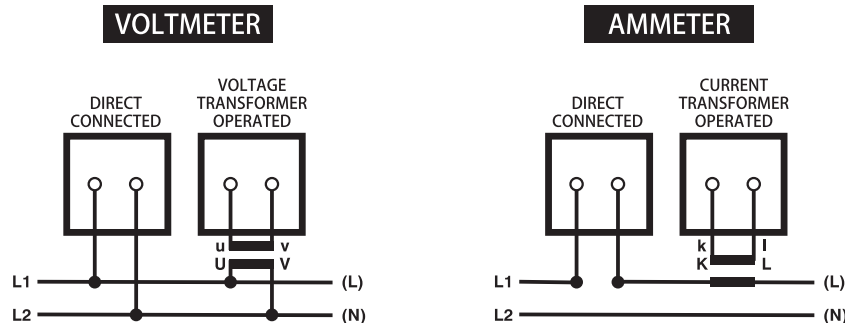
### ① Accessories: Terminal Cover, Mounting Holders, Screws



### ② External and Cut-out Dimensions



### ③ Connection Diagrams



### ④ The meter is fixed in the panel by two screw holders situated on arbitrary opposite corners of the case.

