

# RS PRO Photoelectric Sensor

RS Stock No.: 202-4457, 202-4458, 202-4459,  
202-4460

## FEATURES

- 18mm threaded cylinder mounting or side mounting optional;
- IP67, suitable for harsh environments;
- Unique optical design for stable detection of bright objects;
- 360° bright LED status indicator;
- Visible light spot for easy installation and commissioning.
- Bracket Included: 33\*30\*14mm



RS Professionally Approved Products bring to you professional quality parts across all product categories. Our product range has been tested by engineers and provides a comparable quality to the leading brands without paying a premium price.

## Part Number Description

Part number	Sensing distance	Light source	Output	Connection
202-4457	3m (adjustable)	Red light (660nm)	NPN NO/NC	2m PVC cable
202-4459	3m (adjustable)	Red light (660nm)	PNP NO/NC	2m PVC cable
202-4458	3m (adjustable)	Red light (660nm)	NPN NO/NC	M12 connector
202-4460	3m (adjustable)	Red light (660nm)	PNP NO/NC	M12 connector

## General Specifications

<b>Detection Type</b>	Polarized retro reflection
<b>Standard target</b>	TD-09 reflector
<b>Rated distance</b>	0...3m
<b>Light Spot</b>	180*180mm@3m
<b>Response Time</b>	≤1ms
<b>Indicator</b>	Green light: power, signal stability indication (blinking means unstable signal); Yellow light: output, overload or short circuit (flashing)
<b>Ambient Temperature</b>	-15°C...60 °C
<b>Ambient humidity</b>	35...95%RH (Non-condensing)
<b>Anti-ambient light</b>	Anti-sunlight interference ≥ 10,000lux; Incandescent light interference ≥ 3,000lux
<b>Distance adjustment</b>	Single-turn potentiometer

## Electrical Specifications

<b>Operating Supply Voltage</b>	10...30 VDC
<b>Current Consumption</b>	≤20mA
<b>Residual voltage</b>	≤1V
<b>Load Current</b>	≤200mA
<b>Voltage withstand</b>	1000V/AC 50/60Hz 60s
<b>Insulation resistance</b>	≥50MΩ(500VDC)
<b>Vibration resistance</b>	10...50Hz (0.5mm)
<b>Reverse Polarity Protection</b>	YES
<b>Overload Protection</b>	YES
<b>Short Circuit Protection</b>	YES

## Mechanical Specifications

<b>Body Style</b>	Block
<b>Mounting Type</b>	18mm threaded cylinder mounting or side mounting
<b>Housing Material</b>	ABS
<b>Lens/Face Material</b>	PMMA
<b>Dimensions</b>	31*35*15mm
<b>Gross Weight</b>	50g (connector type) / 95g (cable type)

## Protection Category

<b>IP Rating</b>	IP67
------------------	------

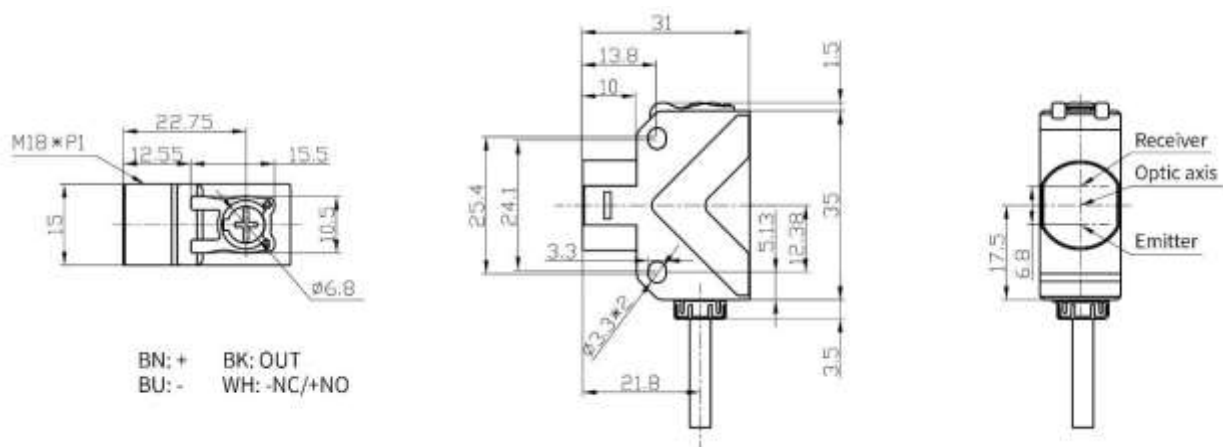
## Additional Information

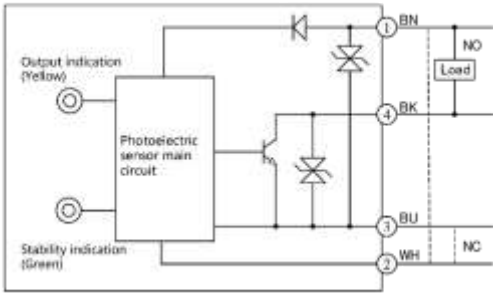
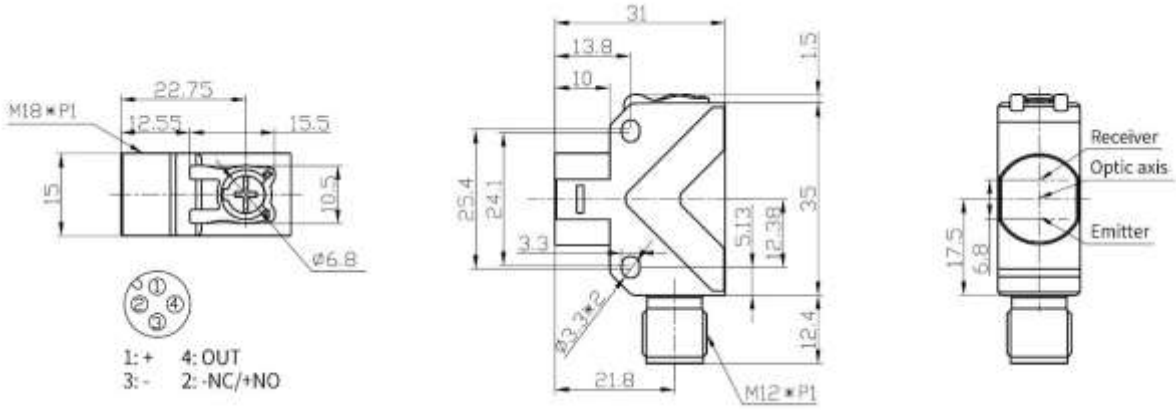
<b>Custom Tariff Number/HS code</b>	903180
<b>NO/NC adjustment</b>	NO: White line is connected to the positive electrode; NC: White line is connected to the negative electrode;

## Approvals

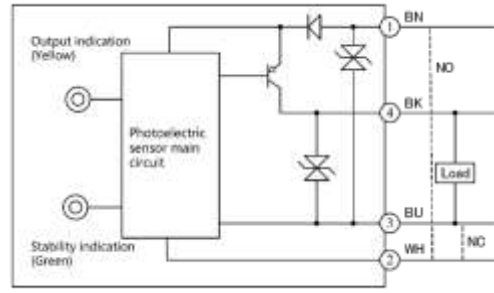
<b>Compliance/Certifications</b>	CE
----------------------------------	----

## Dimension and Wiring





NPN



PNP