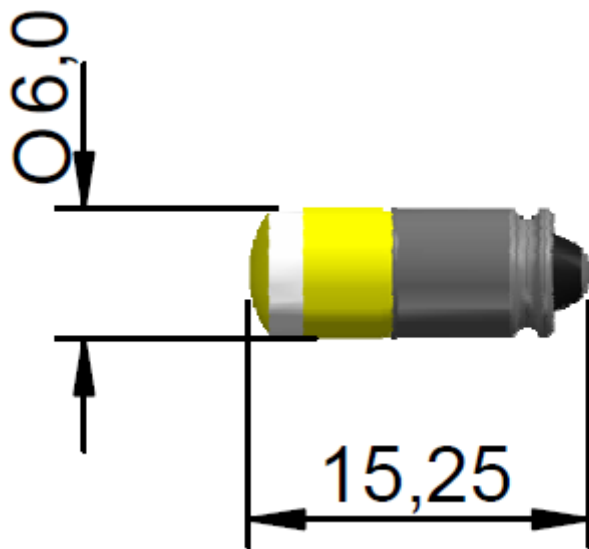


# Datasheet

## Yellow Midget Groove LED Indicator Lamp

RS Stock number 204-552

Dimensions (mm):



### Specifications:

LED/Multiled	<i>Multiled</i>	Optimum voltage (V)	<i>28Vdc</i>	Intensity	<i>45mcd</i>
Mounting Size	<i>TI 3/4</i>	Rectifier			
Mounting Finish		AC current			
Protection		DC current	<i>20mA</i>		
Mount Holder	<i>Midget Groove</i>	Voltage Tolerance (%)	<i>10%</i>		
Chip Qty	<i>6</i>	Optimum temperature (°C)	<i>-30°C...+65°C</i>		
Indicator colour	<i>Yellow</i>	Storage temperature (°C)	<i>-30°C...+65°C</i>		
Wavelength (nm)	<i>585</i>	Contact Tab	<i>Midget Groove</i>		