

## FEATURES

- Copper body material for high conductivity and easy crimping
- Tin plating for resistance to corrosion
- Added strength and excellent conductivity
- Vinyl insulation for electrical insulation and terminal protection
- Colour coded insulation for easy identification of terminal size
- Expanded insulation entry for easy wire insertion

## RS PRO Insulated Ring Terminal, M4 (#8) Stud Size, 0.5mm<sup>2</sup> to 1.5mm<sup>2</sup> Wire Size, Red

RS Stock No.: 267-3638



RS Professionally Approved Products bring to you professional quality parts across all product categories. Our product range has been tested by engineers and provides a comparable quality to the leading brands without paying a premium price.

## Product Description

From RS PRO a high-quality insulated crimp ring terminal, also known as a ring connector or cable lug. Ring crimp terminals are used for connecting an electrical cable or wire to a stud or a post on an electrical component such as a battery terminal. This ring terminal is made from highly conductive copper and has a double crimp design with an internal copper sleeve. This internal copper sleeve strengthens the barrel, provides a robust and secure crimp and protects the wire against stress and high vibration. The ring terminal is then tin plated for maximum electrical conductivity and corrosion resistance.

## General Specifications

<b>Insulation</b>	Insulated
<b>Insulation Material</b>	Nylon
<b>Colour</b>	Red
<b>Contact Material</b>	Copper
<b>Contact Plating</b>	Tin
<b>Stud Size</b>	M4 (#8)
<b>Double Crimp</b>	With copper sleeve on barrel
<b>Application</b>	Wide range of industries for connecting wires to electrical components. Applications include wiring in industrial control systems and industrial machines, automotive applications, communication equipment, power supplies and domestic appliances.

## Electrical Specifications

<b>Maximum Electrical Rating</b>	105°C 600V Max.
<b>Maximum Electrical Current</b>	22 AWG: 9A, 16 AWG: 18A

## Mechanical Specifications

<b>Thickness</b>	0.75mm
<b>Overall Length</b>	20.4mm
<b>Inner Ring Diameter</b>	4.3mm
<b>Outer Ring Diameter</b>	6.6mm
<b>Maximum Wire Size</b>	1.5mm <sup>2</sup>
<b>Minimum Wire Size</b>	0.5mm <sup>2</sup>
<b>Maximum Wire Size (AWG)</b>	16AWG
<b>Minimum Wire Size (AWG)</b>	22AWG

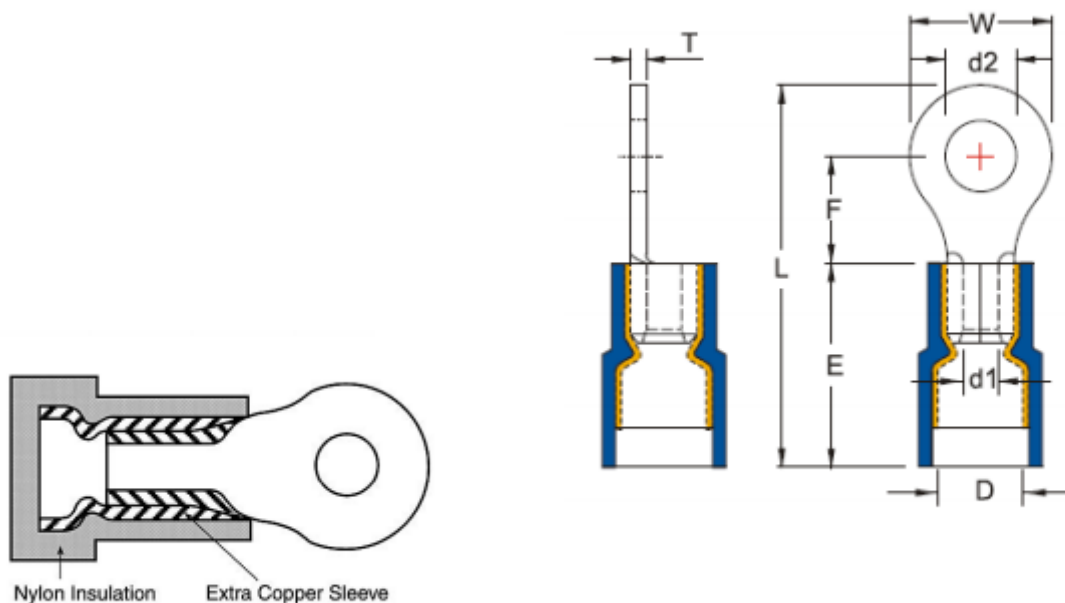
## Operation Environment Specifications

<b>Maximum Operating Temperature</b>	150°C
--------------------------------------	-------

## Approvals

<b>Compliance/Certifications</b>	UL
----------------------------------	----





## Dimensions

Wire Size (mm <sup>2</sup> /AWG)	Stud Size		Dimensions (inch/mm)						
	d2		W	F	L	E	D	d1	T
	Size	(inch/mm)							
0.5-1.5 mm <sup>2</sup> /22-16 AWG	#8	.169/4.3	.260/6.6	.248/6.3	.803/20.4	.433/11.0	.177/4.5	.067/1.7	.030/0.75