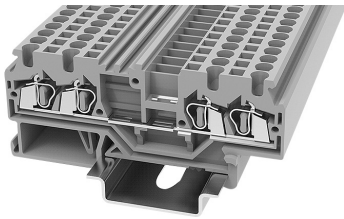
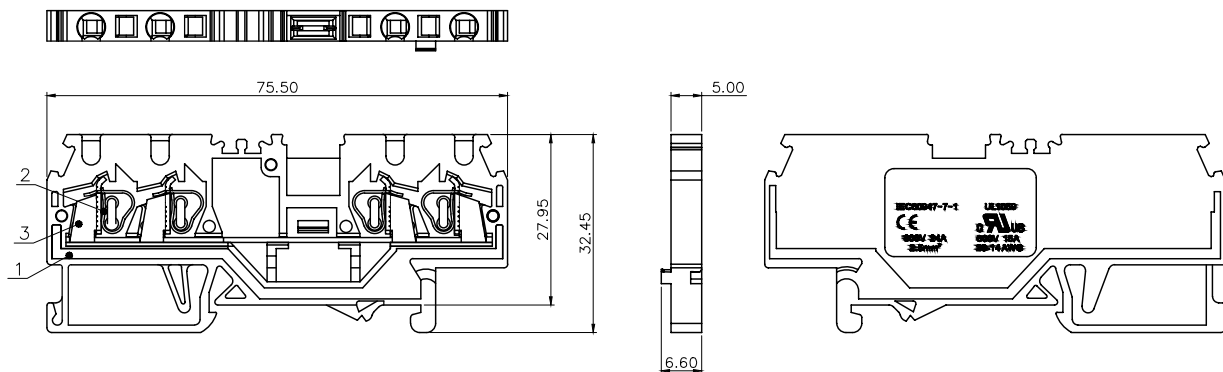


DIN Rail Mount Terminal Block multicomp^{PRO}

RoHS
Compliant



Diagram



Notes1

UL Standard

1. Withstanding Voltage/Current : 600V/15A
2. Withstand Voltage : 2200V AC/1Min.
3. Wire Range : 28AWG to 14AWG

IEC Standard

Pollution Degree	3
Overvoltage Category	III
Rate Impulse Voltage (KV)	8KV
Rate Voltage	800V
Rate Current	24A

2. Wire Range : 2.5mm²

Item	Name of Part	Material	Notes
1	Housing	PA66	UL94V-0
2	Spring	Steel	--
3	Current Carrier	Copper Alloy	Sn Plated

Dimensions : Millimetres

Notes2

1. Dimension shall be interpreted per ASME Y14.5-2009
2. Pitch : 5mm, Poles: 01P
3. Stripping Length : 9mm
4. Operating Temperature : -40°C to +105°C
5. Undimensioned Tolerances

Pitch Range in mm			Nominal Dimension Range in mm					-	∩	□
To 6	Over 6 To 10	Over 10 To 24	To 30	Over 30 To 60	Over 60 To 100	Over 100 To 150	Over 150	0.1/10		
±0.15	±0.2	±0.3	±0.3	±0.5	±0.7	±1	±1.3	±2°		

Part Number Table

Description	Part Number
Spring Cage Terminal Block, Green-Yellow	MP012886

Important Notice : This data sheet and its contents (the "Information") belong to the members of the AVNET group of companies (the "Group") or are licensed to it. No licence is granted for the use of it other than for information purposes in connection with the products to which it relates. No licence of any intellectual property rights is granted. The Information is subject to change without notice and replaces all data sheets previously supplied. The Information supplied is believed to be accurate but the Group assumes no responsibility for its accuracy or completeness, any error in or omission from it or for any use made of it. Users of this data sheet should check for themselves the Information and the suitability of the products for their purpose and not make any assumptions based on information included or omitted. Liability for loss or damage resulting from any reliance on the Information or use of it (including liability resulting from negligence or where the Group was aware of the possibility of such loss or damage arising) is excluded. This will not operate to limit or restrict the Group's liability for death or personal injury resulting from its negligence. Multicomp Pro is the registered trademark of Premier Farnell Limited 2019.

Newark.com/multicomp-pro
Farnell.com/multicomp-pro
sg.element14.com/b/multicomp-pro

multicomp^{PRO}