

RF Adapter Right Angle

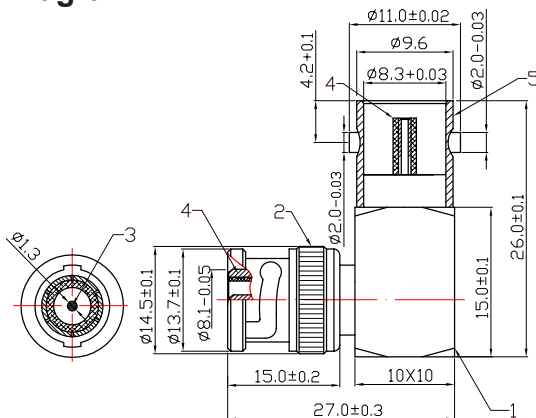
multicomp PRO



Specifications

Adapter Type	: Right Angle Adaptor
Connector Type A	: BNC Plug
Connector Type B	: BNC Receptacle
Contact Resistance	: Centre Contact: $\leq 1.5m\Omega$ Outer Contact: $\leq 1m\Omega$
Insulation Resistance	: $\leq 5000M\Omega$
Frequency	: DC~3GHz
Withstand Voltage	: AC:500V-2000V DC:800V
Current Rating	: AC:250V/10A DC:500V/10A
Contact Material	: Brass
Operating Temperature	: -30°C to +60°C
VSWR	: Straight =1.2 Elbow ≥ 1.3
Electrical Life	: 5000 times inserting extracting CIT fall load

Diagram



Material Specifications

No.	Parameter	Material
1	Square Body	Brass
2	BNC Shell	Zinc
3	Male Pin	Brass
4	Insulator	POM
5	BNC Female Body	Zinc
6	Female Pin	Brass

Part Number Table

Description	Part Number
RF Right Angle Adapter, BNC Plug to Receptacle	MC002851

Dimensions : Millimetres

Important Notice : This data sheet and its contents (the "Information") belong to the members of the AVNET group of companies (the "Group") or are licensed to it. No licence is granted for the use of it other than for information purposes in connection with the products to which it relates. No licence of any intellectual property rights is granted. The Information is subject to change without notice and replaces all data sheets previously supplied. The Information supplied is believed to be accurate but the Group assumes no responsibility for its accuracy or completeness, any error in or omission from it or for any use made of it. Users of this data sheet should check for themselves the Information and the suitability of the products for their purpose and not make any assumptions based on information included or omitted. Liability for loss or damage resulting from any reliance on the Information or use of it (including liability resulting from negligence or where the Group was aware of the possibility of such loss or damage arising) is excluded. This will not operate to limit or restrict the Group's liability for death or personal injury resulting from its negligence. Multicomp Pro is the registered trademark of Premier Farnell Limited 2019.

Newark.com/multicomp-pro
Farnell.com/multicomp-pro
Element14.com/multicomp-pro

multicomp PRO